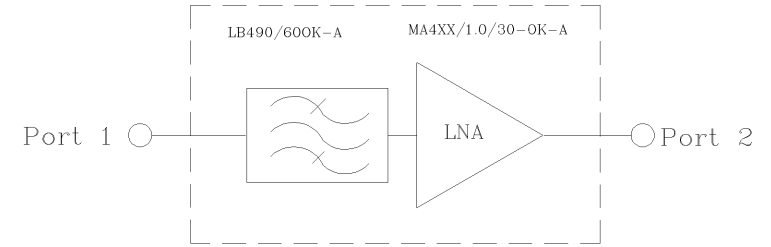
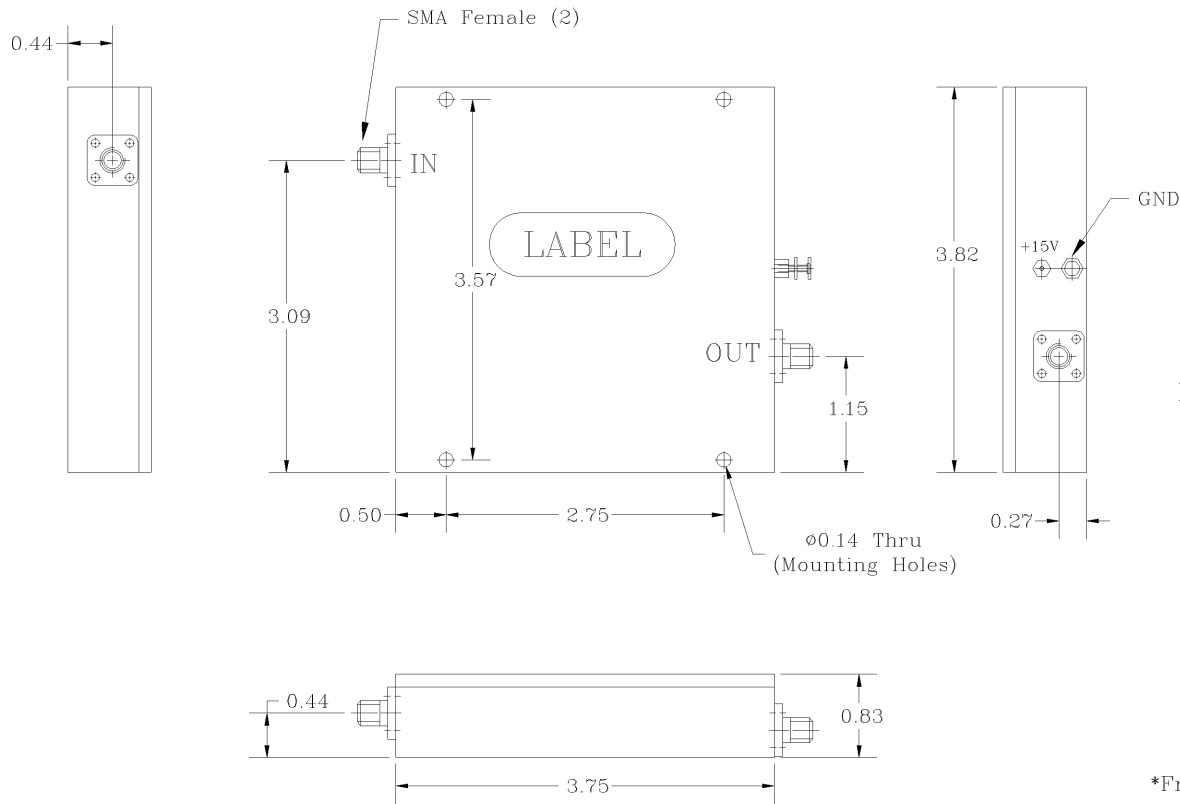


REVISIONS

REV		DATE	APPROVED
C	Specs verified on First Article unit.	03/08	G. David



Electrical Specifications

- *Frequency Range [MHz] : 460-525
- *Gain [dB] : 31 ± 1
- *Gain Flatness [dB] : +/-0.5
- *Rejection @ DC to 382 MHz [dBc] : -60 (Min.)
- @ 598 to 657 MHz [dBc] : -60 (Min.)
- @ 658 to 670 MHz [dBc] : -65 (Min.)
- *Noise Figure [dB] : < 2.5
- *Power Output @ 1 dB Compression [dBm] : +18.0 (Typ.)
- *3rd Order Output Intercept Point [dBm] : +30 (Typ.)
- @ 2 tones + 0 dBm each
- *Input/Output Impedance : 50 ohm
- *Maximum Input Power with no Damage [dBm] : +10
- *VSWR INPUT : <1.38:1
- *VSWR OUTPUT : <2:1
- *Power Supply [V/Amp] : 15V-DC/<.16 Amp

OPERATING TEMPERATURE RANGE: -40°C TO +85°C

PROPRIETARY DOCUMENT:
 THE CONTENTS OF THIS DOCUMENT WITH ALL INFORMATION AND PROCESSES ARE THE SOLE PROPERTY OF G-Way Microwave. THIS DOCUMENT MAY NOT BE DUPLICATED OR DISCLOSED TO ANY PARTY EXCEPT BY EXPRESSLY WRITTEN PERMISSION. THE ONLY AUTHORIZED USE OF THIS DOCUMENT BY A VENDOR IS FOR QUOTE PURPOSES AND SAID VENDOR AGREES NOT TO DISCLOSE ITS CONTENTS TO ANY THIRD PARTY. THIS DOCUMENT IS COPYRIGHTED 1998.

NOTES:

1. FINISH : ALODINE PER MIL-C-5541 CLASS 3

DIMENSIONS ARE IN INCHES		CONTRACT NO:		G-Way Microwave			
TOLEANCES ARE ANGLES DECIMALS		APPROVALS DATE					
± 1"	X ± .05 XX ± .01 XXX ± .003	DRAWN Sivak 03/08		Filter UHF + LNA			
TREATMENT	CHECKED			LBMA490/1.0/300K-B1			
FINISH 63/	ENG.			SIZE	CAGE CODE	DWG NO:	REV.
	DESIGN ACTIVITY			A	3K1H4	LBMA490/1.0/300K-B1-1	C
MATERIAL				SCALE	None		SHEET 1 OF 1