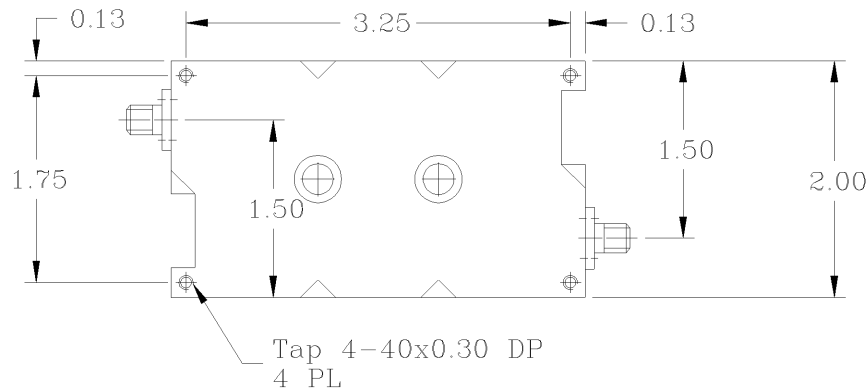
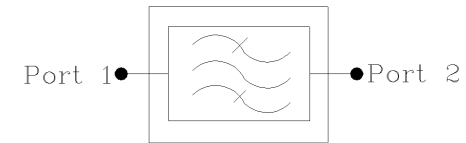
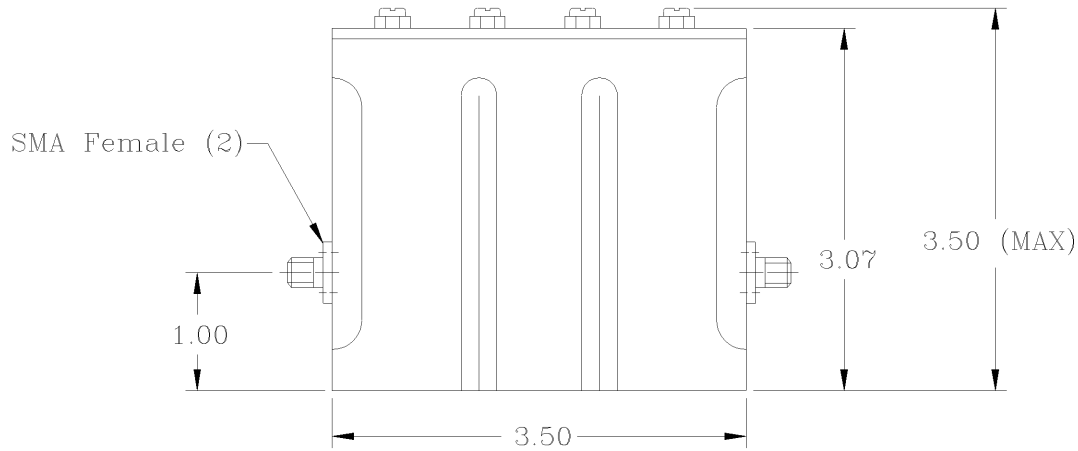


REVISIONS			
REV		DATE	APPROVED



*Net Weight : < 0.320 kg/0.706 lb
Resonators hollowed out and Soldered

Electrical Specifications

- (Power specs met over entire operating Temperature Range)
- *Pass Band Range [MHz] : 935 to 960
 - *Pass Band Insertion Loss @ Fo [dB] : <0.8, 0.6 (Typ.)
 - *Pass Band Ripple [dB] : <0.5 P-T-P
 - *Rejection DC to 915 MHz [dB] : 45 (Min.), 50 (Typ.)
 - @ 2100 to 2300 MHz [dB] : 55 (Min.), 60 (Typ.)
 - *Pass Band Return Loss [dB] : -18 (Max.), <1.28:1
 - *Input/Output Impedance : 50 ohm
 - *RF Power Capability CW : 140 Watts
 - *Input/Output @ DC Ground Potential
 - *Net Weight : 0.320 kg/0.706 lb

OPERATING TEMPERATURE RANGE: -20°C TO +65°C

PROPRIETARY DOCUMENT:
THE CONTENTS OF THIS DOCUMENT WITH ALL INFORMATION AND PROCESSES ARE THE SOLE PROPERTY OF G-Way Microwave. THIS DOCUMENT MAY NOT BE DUPLICATED OR DISCLOSED TO ANY PARTY EXCEPT BY EXPRESSLY WRITTEN PERMISSION. THE ONLY AUTHORIZED USE OF THIS DOCUMENT BY A VENDOR IS FOR QUOTE PURPOSES AND SAID VENDOR AGREES NOT TO DISCLOSE ITS CONTENTS TO ANY THIRD PARTY. THIS DOCUMENT IS COPYRIGHTED 1998.

NOTES:

1. BREAK ALL CORNERS & EDGES.005/.010.
2. FINAL FINISH:
EPOXY GRAY - OPTIONAL

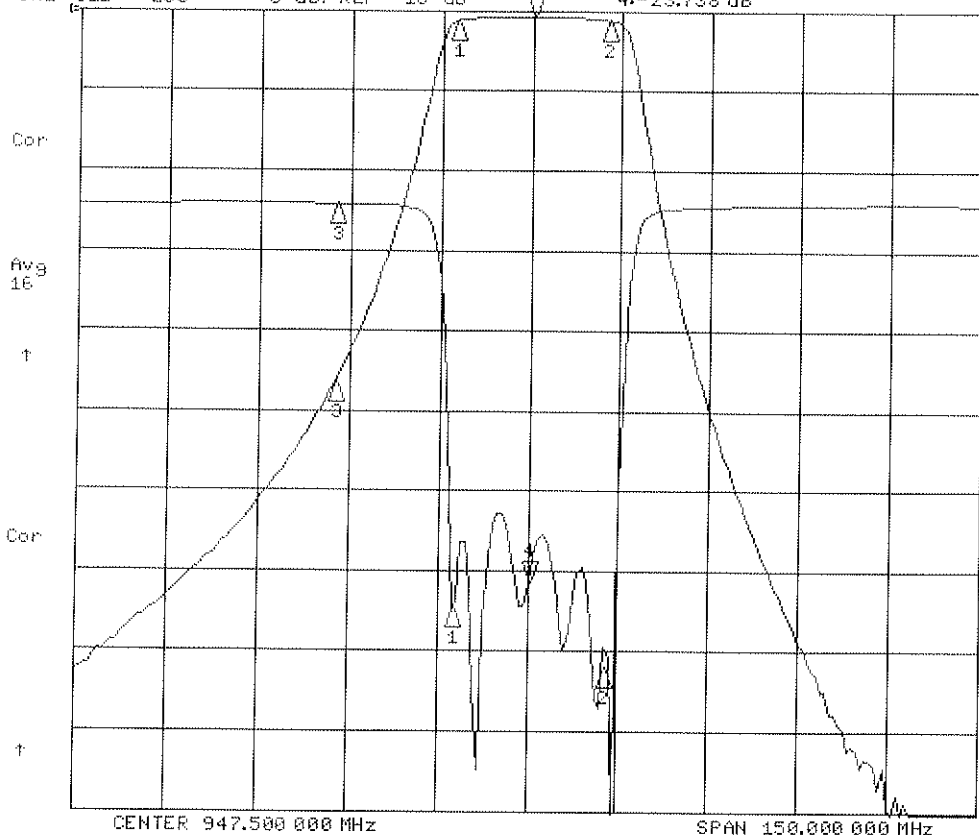
DIMENSIONS ARE IN INCHES TOLERANCES ARE ANGLES DECIMALS		CONTRACT NO:		G-Way Microwave			
± 1"	.X ± .05 .XX ± .01 .XXX ± .003	APPROVALS	DATE				
TREATMENT	CHECKED	DRAWN Segal	01/14	Band Pass Filter		A	
FINISH 63/	ENG.	DESIGN ACTIVITY		SIZE A	CAGE CODE 3K1H4	DWG NO: CB947.5/25HK-B5S-1	
MATERIAL				SCALE None		SHEET 1 OF 1	

CB 947.5/25 HK-B53

+21°C

8 Jan 2014 16:05:05

CH1 S21 LOG 10 dB/REF 0 dB 4: -1.76820 dB 947.500 000 MHz
 CH2 S11 LOG 5 dB/REF -18 dB 4: -23.738 dB



CH1 Markers

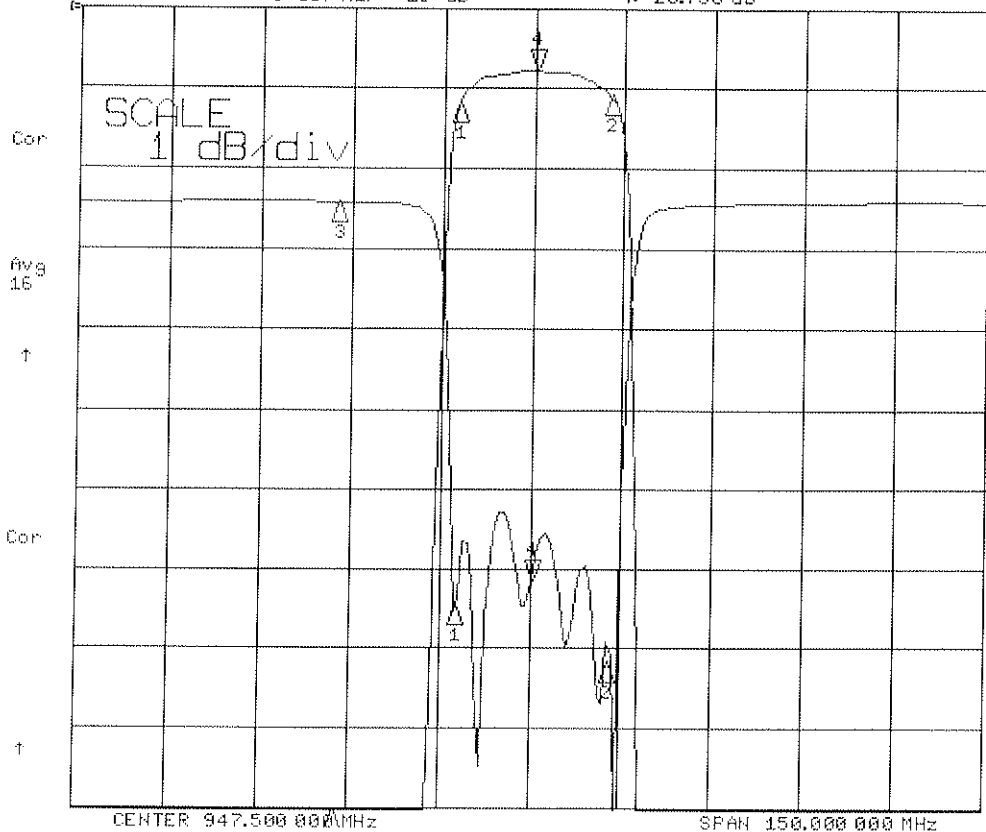
- 1: -1.1786 dB
935.000 MHz
- 2: -1.0760 dB
960.000 MHz
- 3: -46.403 dB
915.000 MHz

CH2 Markers

- 1: -25.270 dB
935.000 MHz
- 2: -28.972 dB
960.000 MHz
- 3: -11.500 dB
915.000 MHz

8 Jan 2014 16:05:08

CH1 S21 LOG 1 dB/REF 0 dB 4: -1.76900 dB 947.500 000 MHz
 CH2 S11 LOG 5 dB/REF -18 dB 4: -23.750 dB



CH1 Markers

- 1: -1.1787 dB
935.000 MHz
- 2: -1.0752 dB
960.000 MHz
- 3: -46.402 dB
915.000 MHz

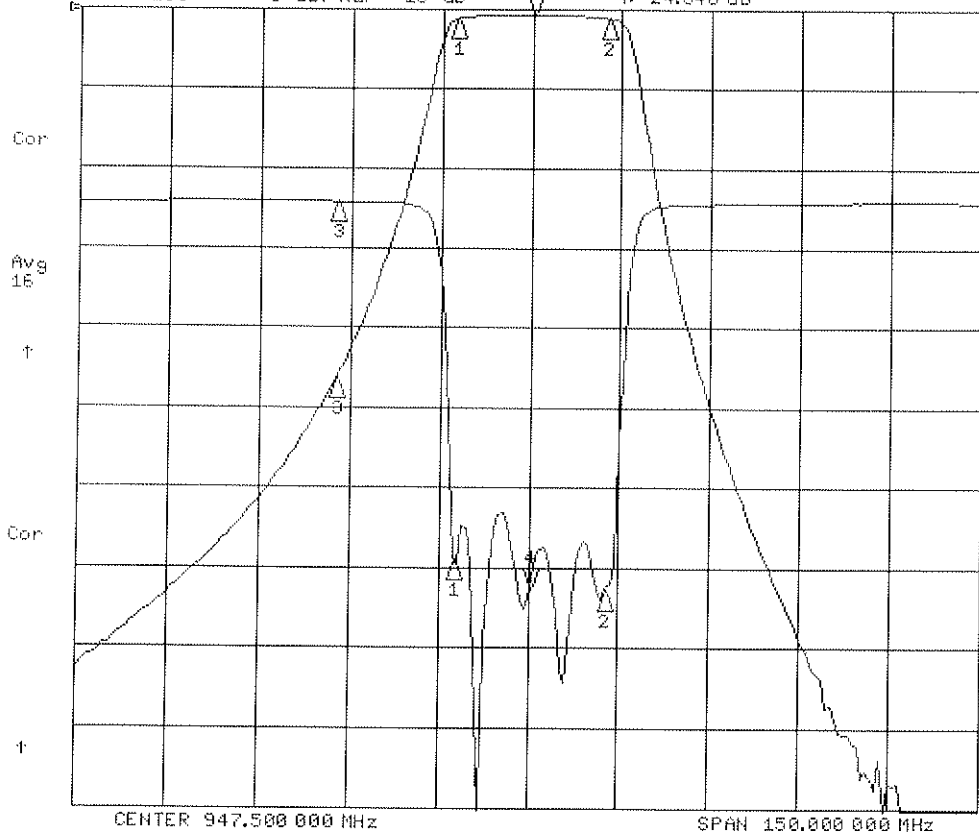
CH2 Markers

- 1: -25.358 dB
935.000 MHz
- 2: -28.921 dB
960.000 MHz
- 3: -11.600 dB
915.000 MHz

8 Jan 2014 16:07:03

CH1 S21 LOG 10 dB/REF 0 dB 4: -76.920 dB 947.500 000 MHz
CH2 S11 LOG 5 dB/REF -18 dB 4: -24.346 dB

+21°C



CH1 Markers

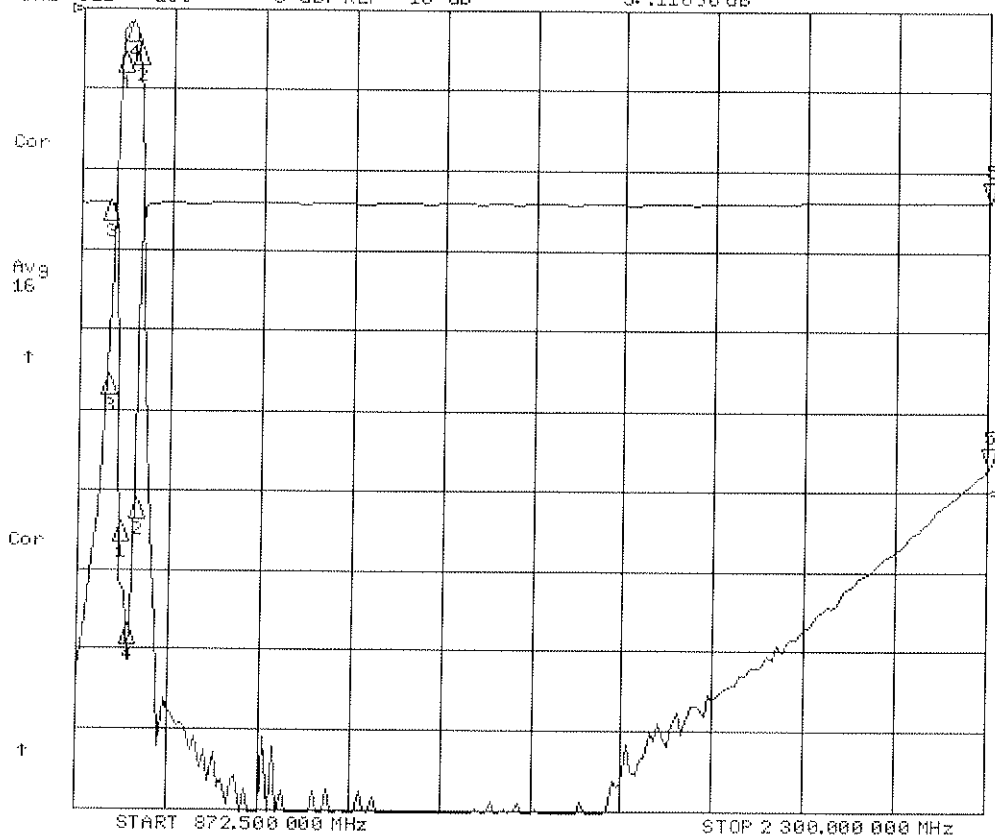
- 1: -1.1778 dB
935.000 MHz
- 2: -1.0764 dB
960.000 MHz
- 3: -46.423 dB
915.000 MHz

CH2 Markers

- 1: -22.517 dB
935.000 MHz
- 2: -24.433 dB
960.000 MHz
- 3: -101.70 dB
915.000 MHz

8 Jan 2014 16:07:15

CH1 S21 LOG 10 dB/REF 0 dB 5: -57.116 dB 2 300.000 000 MHz
CH2 S11 LOG 5 dB/REF -18 dB 5: .11690 dB



CH1 Markers

- 1: -5.5356 dB
935.000 MHz
- 2: -4.7020 dB
960.000 MHz
- 3: -45.809 dB
915.000 MHz
- 4: -1.7262 dB
947.500 MHz

CH2 Markers

- 1: -20.037 dB
935.000 MHz
- 2: -18.591 dB
960.000 MHz
- 3: -.05190 dB
915.000 MHz
- 4: -26.549 dB
947.500 MHz