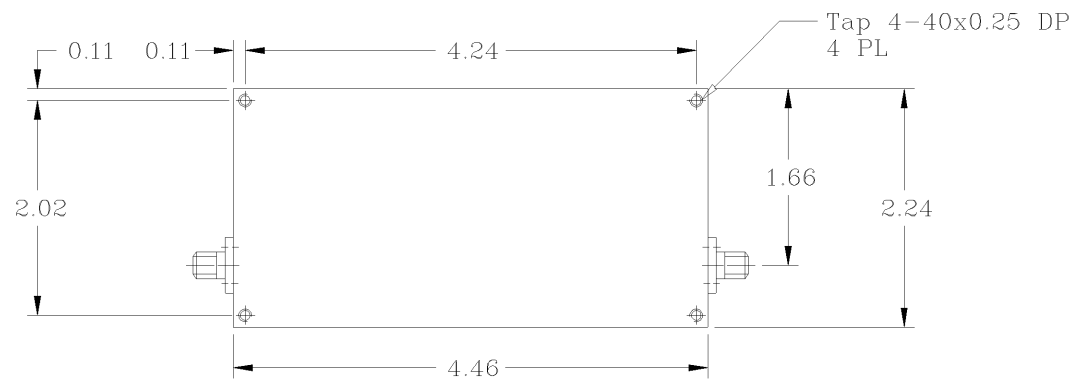
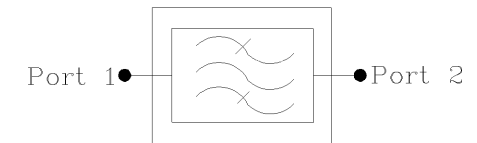


REVISIONS			
REV		DATE	APPROVED



Electrical Specifications

- *Pass Band Frequency Range [MHz] : 890 to 915
- *Pass Band Insertion Loss [dB] : < 1.5
- *Pass Band Ripple [dB] : < 0.5 P-T-P
- *Attenuation @ 844 to 869 MHz [dB] : 70 (Min.)
- *Attenuation @ 937 to 1101 MHz [dB] : 70 (Min.)
- *Pass Band Return Loss [dB] : 16 (Max.)
- *Input/Output Impedance : 50 ohm
- *RF Power Capability Average : 10 Watt

OPERATING TEMPERATURE RANGE: -10°C TO +70°C

PROPRIETARY DOCUMENT:
 THE CONTENTS OF THIS DOCUMENT WITH ALL INFORMATION AND PROCESSES ARE THE SOLE PROPERTY OF G-Way Microwave. THIS DOCUMENT MAY NOT BE DUPLICATED OR DISCLOSED TO ANY PARTY EXCEPT BY EXPRESSLY WRITTEN PERMISSION.
 THE ONLY AUTHORIZED USE OF THIS DOCUMENT BY A VENDOR IS FOR QUOTE PURPOSES AND SAID VENDOR AGREES NOT TO DISCLOSE ITS CONTENTS TO ANY THIRD PARTY. THIS DOCUMENT IS COPYRIGHTED 1998.

NOTES:

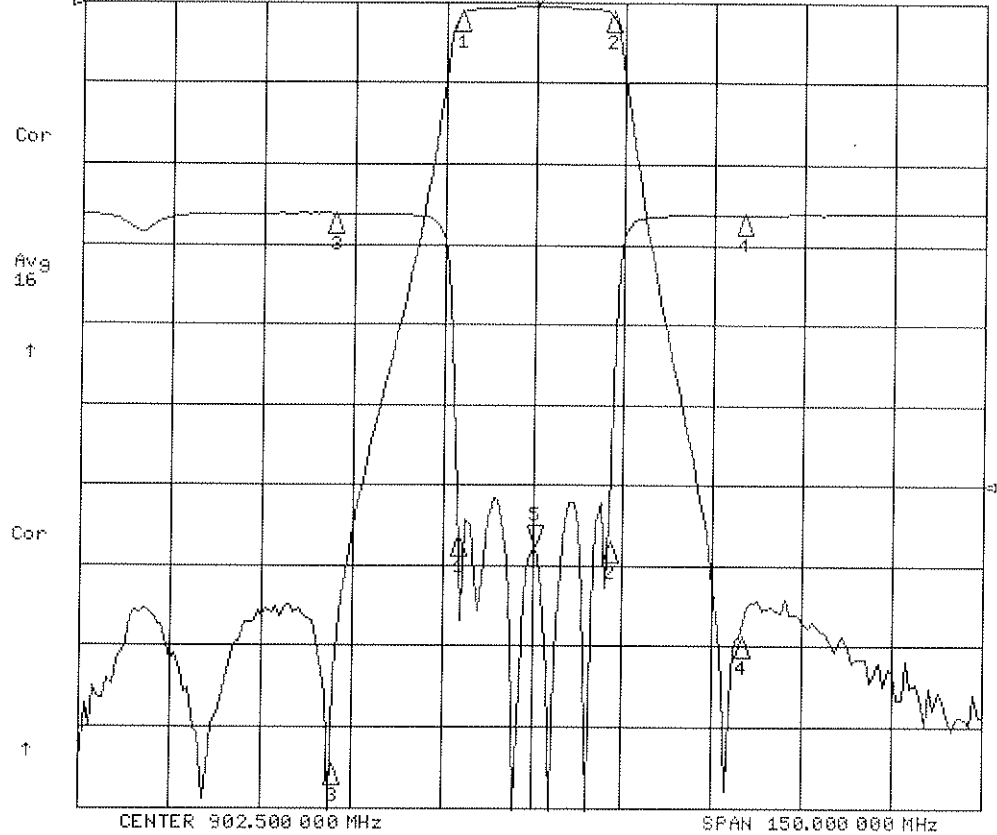
1. BREAK ALL CORNERS & EDGES.005/.010.
2. FINAL FINISH:
EPOXY GRAY - OPTIONAL

DIMENSIONS ARE IN INCHES: TOLERANCES ARE ANGLES DECIMALS		CONTRACT NO:		G-Way Microwave			
± 1"	.X ± .05 .XX ± .01 .XXX ± .003	APPROVALS	DATE	TITLE band Pass Filter GSM UL			
TREATMENT	CHECKED	DRAWN Segal	11/13	CB902.5/25SK-B2			
FINISH 63/	ENG.	DESIGN ACTIVITY		SIZE A	CAGE CODE 3K1H4	DWG NO: CB902.5/25SK-B2-1	REV. 0
MATERIAL				SCALE None			SHEET 1 OF 1

CB902.5/25SK-102

12 Nov 2013 16:35:07

CH1 S21 LOG 10 dB/REF 0 dB 5 -59.420 dB 902.500 000 MHz
 CH2 S11 LOG 5 dB/REF -17 dB 5 -20.838 dB



CH1 Markers

- 1:-1.3327 dB
890.000 MHz
- 2:-1.3036 dB
915.000 MHz
- 3:-95.371 dB
869.000 MHz
- 4:-78.977 dB
937.000 MHz

CH2 Markers

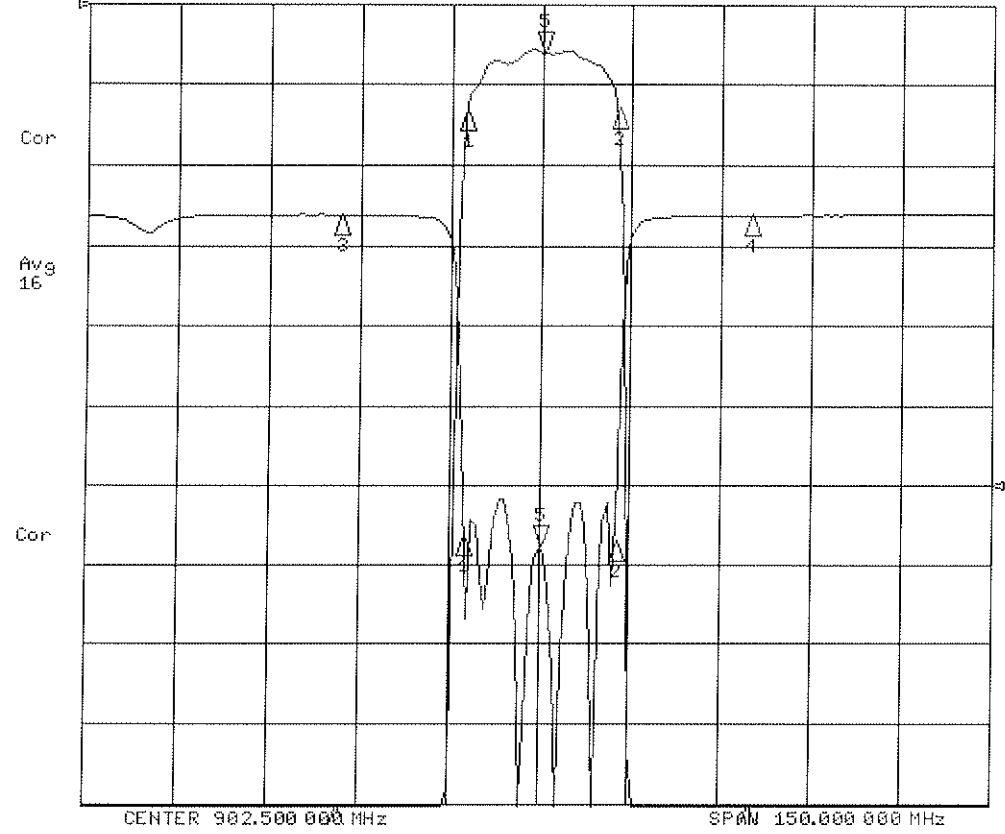
- 1:-20.230 dB
890.000 MHz
- 2:-20.557 dB
915.000 MHz
- 3:-0.7500 dB
869.000 MHz
- 4:-0.8940 dB
937.000 MHz

CENTER 902.500 000 MHz

SPAN 150.000 000 MHz

12 Nov 2013 16:35:10

CH1 S21 LOG 1 dB/REF 0 dB 5 -59.470 dB 902.500 000 MHz
 CH2 S11 LOG 5 dB/REF -17 dB 5 -20.838 dB



CH1 Markers

- 1:-1.3336 dB
890.000 MHz
- 2:-1.3036 dB
915.000 MHz
- 3:-93.501 dB
869.000 MHz
- 4:-78.397 dB
937.000 MHz

CH2 Markers

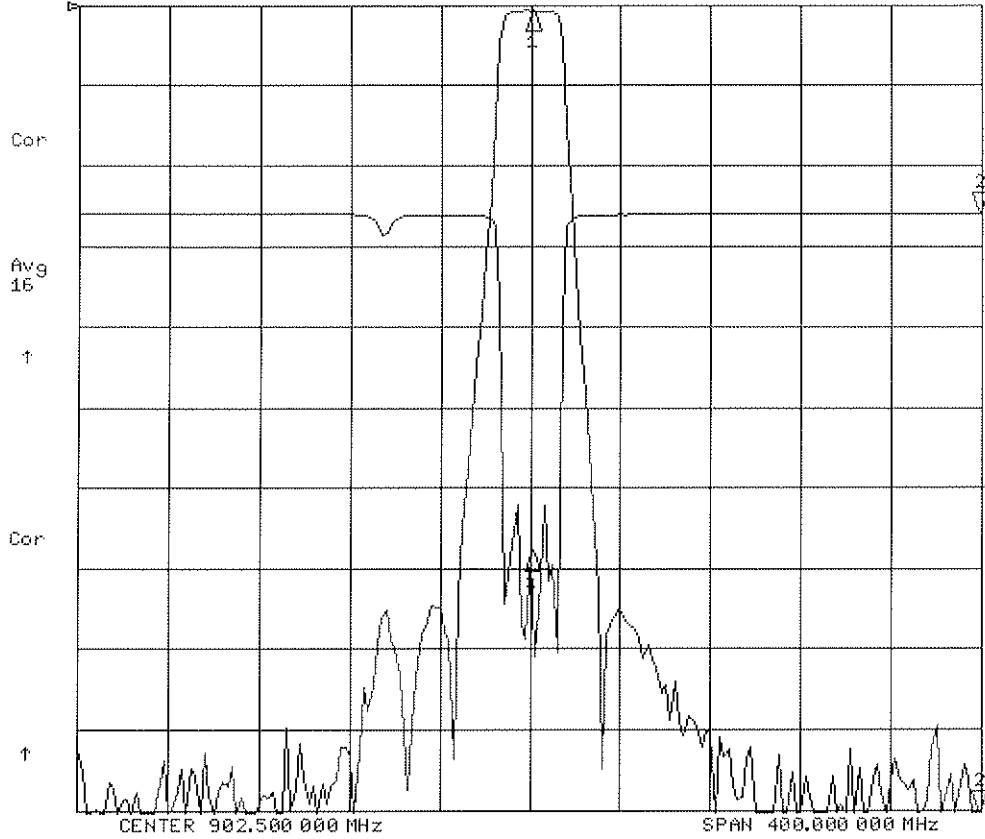
- 1:-20.226 dB
890.000 MHz
- 2:-20.567 dB
915.000 MHz
- 3:-0.7730 dB
869.000 MHz
- 4:-0.8820 dB
937.000 MHz

CENTER 902.500 000 MHz

SPAN 150.000 000 MHz

12 Nov 2013 16:35:30

CH1 S21 LOG 10 dB/REF 0 dB 2:-101.83 dB 1 101.000 000 MHz
CH2 S11 LOG 5 dB/REF -17 dB 2:-04940 dB



CH1 Markers
1:-62.430 dB
902.500 MHz

CH2 Markers
1:-20.968 dB
902.500 MHz