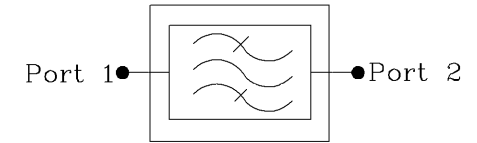
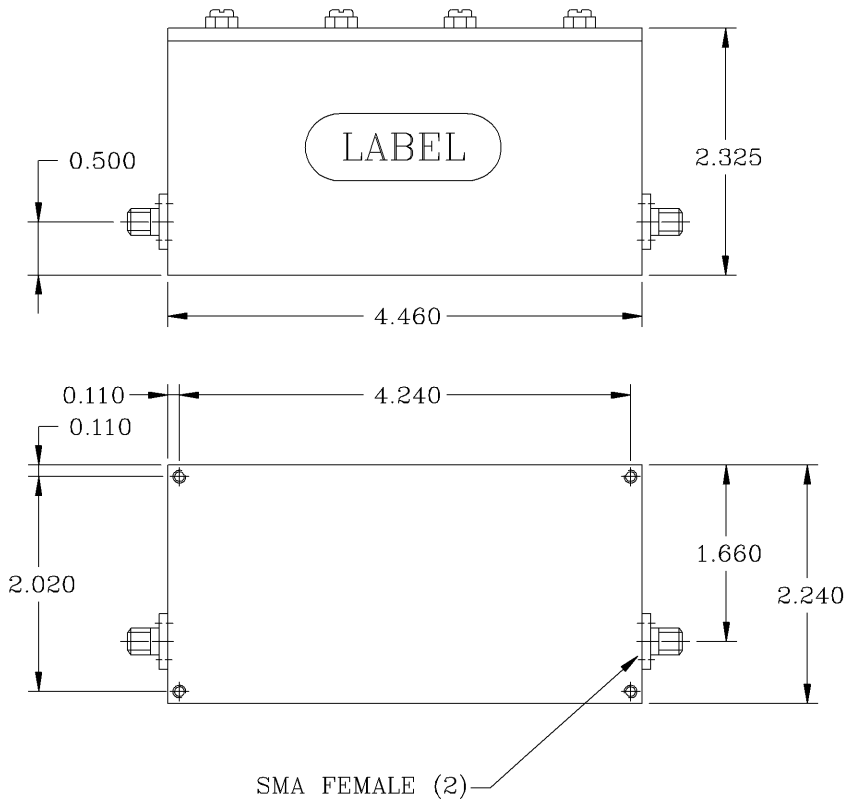


REVISIONS			
REV		DATE	APPROVED



Electrical Specifications

*Pass Band Range [MHz]	: 869 to 879
*Pass Band Insertion Loss [dB]	: <1.0, 0.9 (Typ.)
*Pass Band Ripple [dB]	: <0.5 P-T-P
*Rejection @ 881 MHz [dB]	: 15 (Min.), 20 (Typ.)
*Pass Band Return Loss [dB]	: -18 (Max.), <1.28:1
*Input/Output Impedance	: 50 ohm
*RF Power Capability CW	: 5 Watts
*Input/Output @ DC Ground Potential	

OPERATING TEMPERATURE RANGE: -20°C TO +65°C

PROPRIETARY DOCUMENT:
 THE CONTENTS OF THIS DOCUMENT WITH ALL INFORMATION AND PROCESSES ARE THE SOLE PROPERTY OF G-Way Microwave. THIS DOCUMENT MAY NOT BE DUPLICATED OR DISCLOSED TO ANY PARTY EXCEPT BY EXPRESSLY WRITTEN PERMISSION. THE ONLY AUTHORIZED USE OF THIS DOCUMENT BY A VENDOR IS FOR QUOTE PURPOSES AND SAID VENDOR AGREES NOT TO DISCLOSE ITS CONTENTS TO ANY THIRD PARTY. THIS DOCUMENT IS COPYRIGHTED 1998.

NOTES:

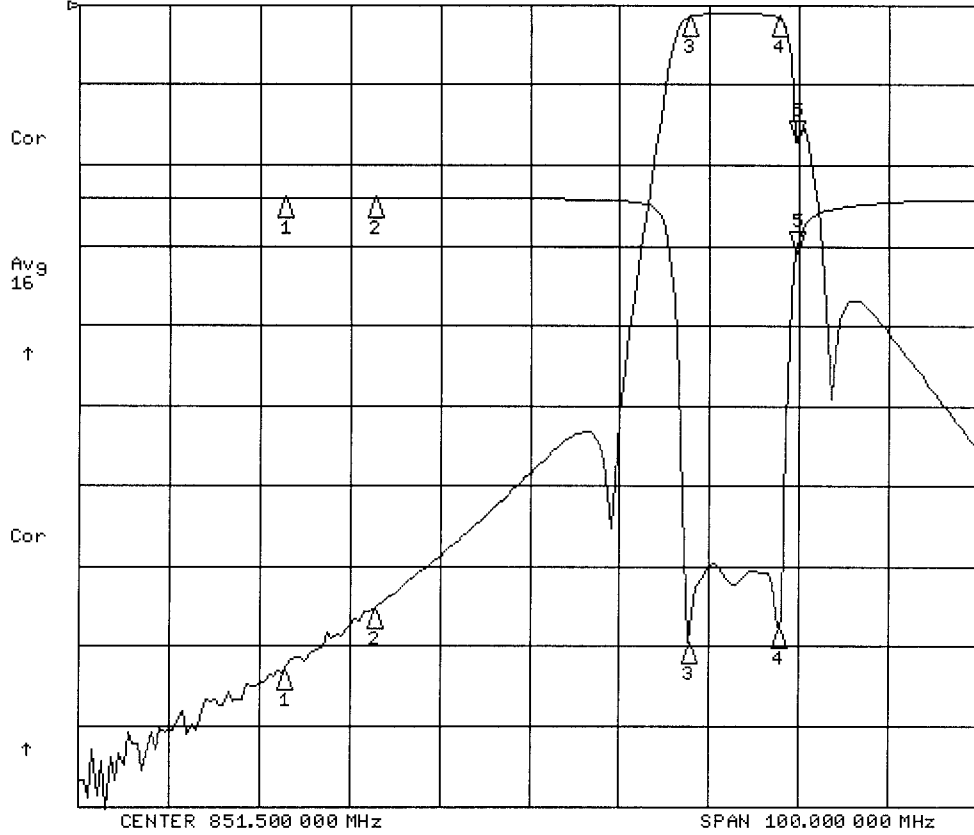
1. BREAK ALL CORNERS & EDGES.005/.010.
2. FINAL FINISH:
EPOXY GRAY - OPTIONAL

DIMENSIONS ARE IN INCHES TOLERANCES ARE		CONTRACT NO:		G-Way Microwave					
ANGLES	DECIMALS	APPROVALS	DATE					TITLE Band Pass Filter 874 MHz	
± 1°	.X ± .05 .XX ± .01 .XXX ± .003	DRAWN Sivak	08/05	CB874/10SK-B2		SIZE	CAGE CODE	DWG NO:	REV.
TREATMENT		CHECKED		A	3K1H4	CB874/10SK-B2-1		0	
FINISH	63/	ENG.		SCALE None		SHEET 1 OF 1			
MATERIAL		DESIGN ACTIVITY							

CB874/105K-B2

8 Apr 2010 13:32:17

CH1 S21 LOG 10 dB/REF 0 dB 5: -17.103 dB 881.000 000 MHz
 CH2 S11 LOG 5 dB/REF -18 dB 5: -3.4293 dB



CH1 Markers

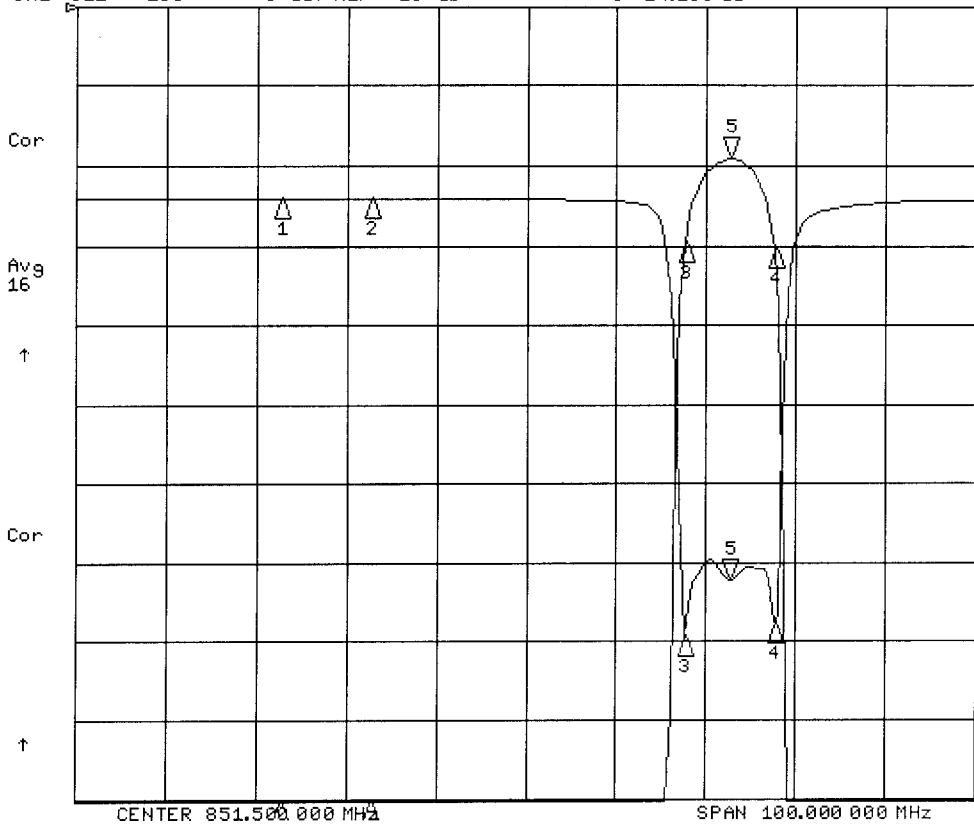
- 1:-82.979 dB
824.000 MHz
- 2:-75.359 dB
834.000 MHz
- 3:-1.4834 dB
869.000 MHz
- 4:-1.5200 dB
879.000 MHz

CH2 Markers

- 1:-.02410 dB
824.000 MHz
- 2:-.03240 dB
834.000 MHz
- 3:-27.851 dB
869.000 MHz
- 4:-26.873 dB
879.000 MHz

8 Apr 2010 13:32:39

CH1 S21 LOG .5 dB/REF 0 dB 5: -.95550 dB 874.000 000 MHz
 CH2 S11 LOG 5 dB/REF -18 dB 5: -24.156 dB



CH1 Markers

- 1:-82.914 dB
824.000 MHz
- 2:-75.451 dB
834.000 MHz
- 3:-1.4798 dB
869.000 MHz
- 4:-1.5176 dB
879.000 MHz

CH2 Markers

- 1:-.02390 dB
824.000 MHz
- 2:-.03190 dB
834.000 MHz
- 3:-27.776 dB
869.000 MHz
- 4:-26.898 dB
879.000 MHz