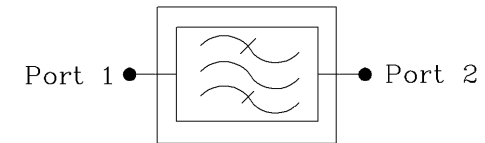
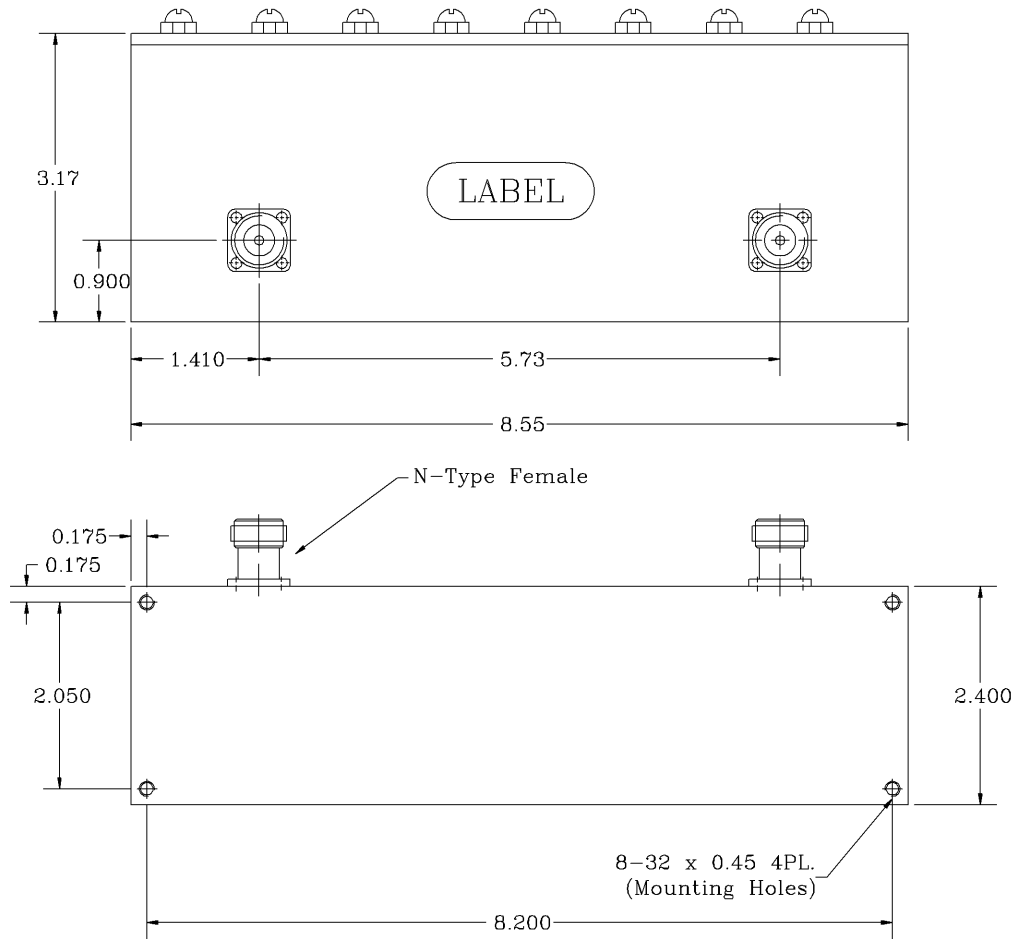


REVISIONS			
REV		DATE	APPROVED



PROPRIETARY DOCUMENT:  
 THE CONTENTS OF THIS DOCUMENT WITH ALL INFORMATION AND PROCESSES ARE THE SOLE PROPERTY OF G-Way Microwave. THIS DOCUMENT MAY NOT BE DUPLICATED OR DISCLOSED TO ANY PARTY EXCEPT BY EXPRESSLY WRITTEN PERMISSION. THE ONLY AUTHORIZED USE OF THIS DOCUMENT BY A VENDOR IS FOR QUOTE PURPOSES AND SAID VENDOR AGREES NOT TO DISCLOSE ITS CONTENTS TO ANY THIRD PARTY. THIS DOCUMENT IS COPYRIGHTED 1998.

NOTES:

- BREAK ALL CORNERS & EDGES.005/.010.
- FINAL FINISH:  
EPOXY GRAY - OPTIONAL

*Electrical Specifications*

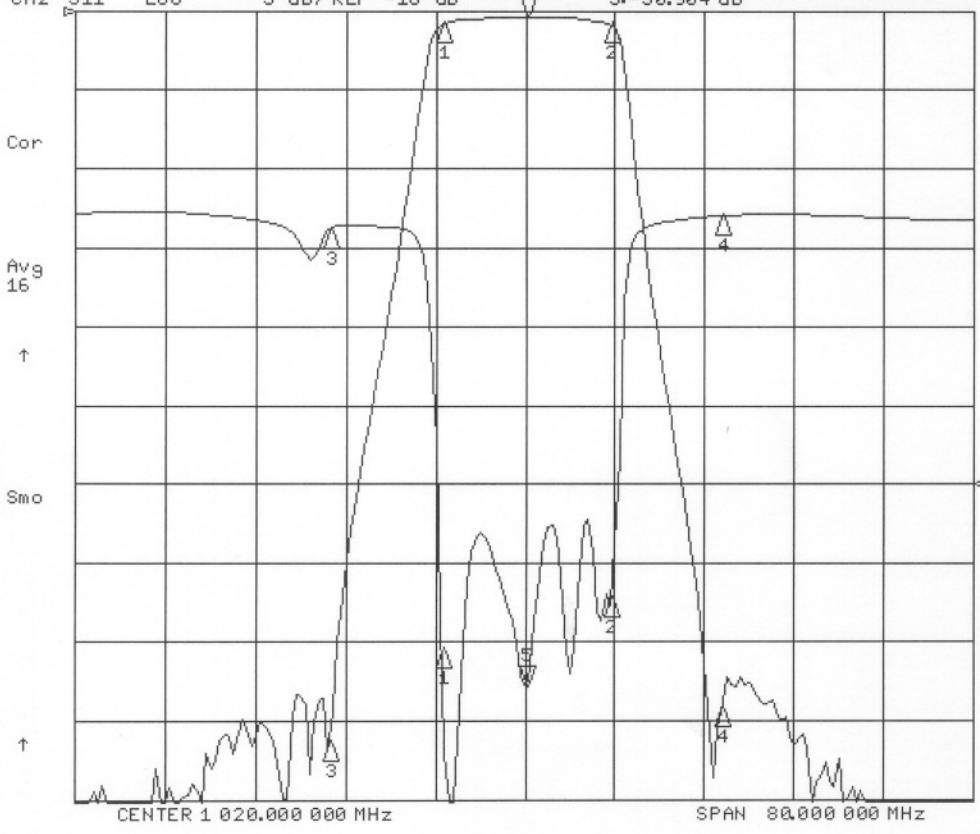
- \*1dB Pass Band Frequency Range [MHz] : 1012.5 to 1027.5
- \*Pass Band Insertion Loss [dB] : <0.9, 0.8 (Typ.)
- \*Pass Band Ripple [dB] : < 0.5 P-T-P
- \*Attenuation DC to 1002.5 MHz [dBc] : 80 (Min.), 85 (Typ.)
- 1037.5 to 3200 MHz [dB]c : 80 (Min.), 85 (Typ.)
- \*Pass Band Return Loss [dB] : -20 (Max.) <1.22:1
- \*Input/Output Impedance : 50 ohm
- \*Input/Output @ DC Ground Potential
- \*RF Power Capability Average : 200 Watts

OPERATING TEMPERATURE RANGE: -30°C TO +65°C

DIMENSIONS ARE IN INCHES TOLERANCES ARE:		CONTRACT NO:		<b>G-Way Microwave</b>			
ANGLES	DECIMALS	APPROVALS	DATE				
± 1°	.X ± .05 .XX ± .01 .XXX ± .003	DRAWN Sivak	10/05	CB1020/25HK-B1		REV.	
TREATMENT	CHECKED	ENG.		SIZE	CAGE CODE	DWG NO:	
FINISH 63/		DESIGN ACTIVITY		A	3K1H4	CB1020/25HK-B1-1	0
MATERIAL AL6061-T6				SCALE	None		SHEET 1 OF 1

CB 1020/25HK-B1

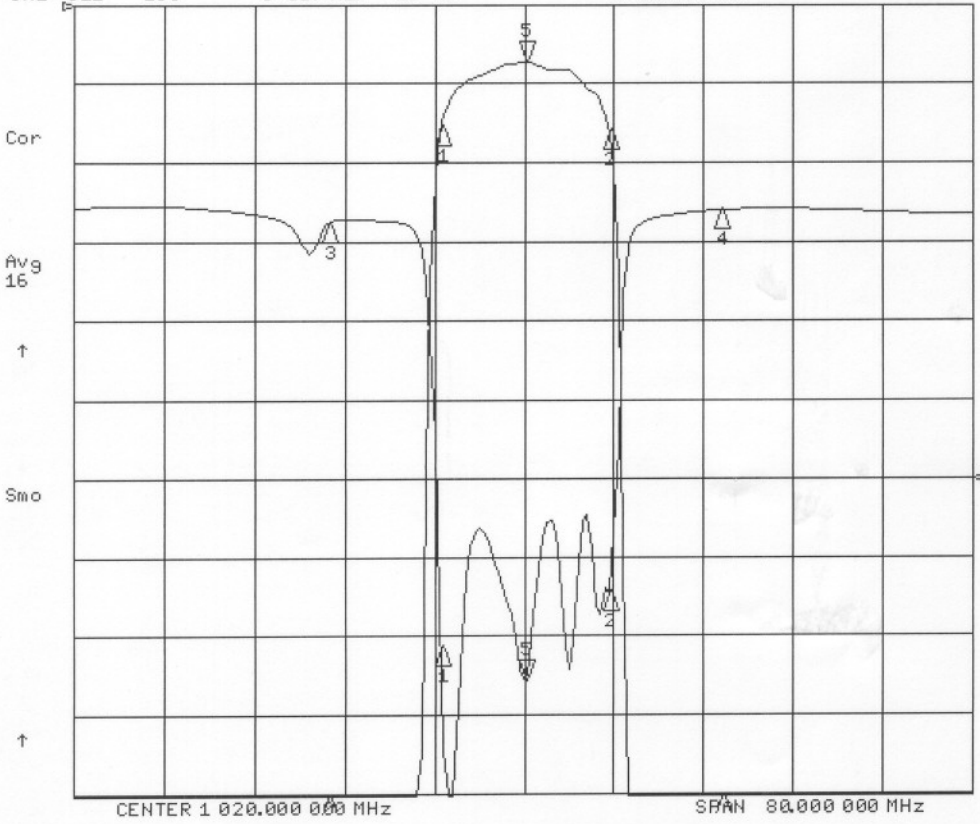
26 Oct 2005 18:16:38  
 CH1 S21 LOG 10 dB/REF 0 dB 5: -72.910 dB 1 020.000 000 MHz  
 CH2 S11 LOG 5 dB/REF -18 dB 5: -30.904 dB



CH1 Markers  
 1: -1.5578 dB  
 1.01250 GHz  
 2: -1.5887 dB  
 1.02750 GHz  
 3: -92.552 dB  
 1.00250 GHz  
 4: -88.334 dB  
 1.03750 GHz

CH2 Markers  
 1: -28.400 dB  
 1.01250 GHz  
 2: -25.238 dB  
 1.02750 GHz  
 3: -1.8659 dB  
 1.00250 GHz  
 4: -1.0063 dB  
 1.03750 GHz

26 Oct 2005 18:16:54  
 CH1 S21 LOG 1 dB/REF 0 dB 5: -72.910 dB 1 020.000 000 MHz  
 CH2 S11 LOG 5 dB/REF -18 dB 5: -30.885 dB



CH1 Markers  
 1: -1.5547 dB  
 1.01250 GHz  
 2: -1.5902 dB  
 1.02750 GHz  
 3: -92.010 dB  
 1.00250 GHz  
 4: -87.961 dB  
 1.03750 GHz

CH2 Markers  
 1: -28.631 dB  
 1.01250 GHz  
 2: -25.196 dB  
 1.02750 GHz  
 3: -1.8693 dB  
 1.00250 GHz  
 4: -1.0051 dB  
 1.03750 GHz