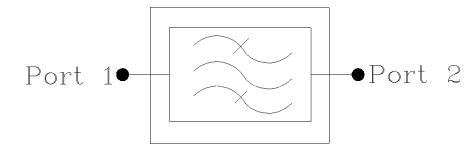
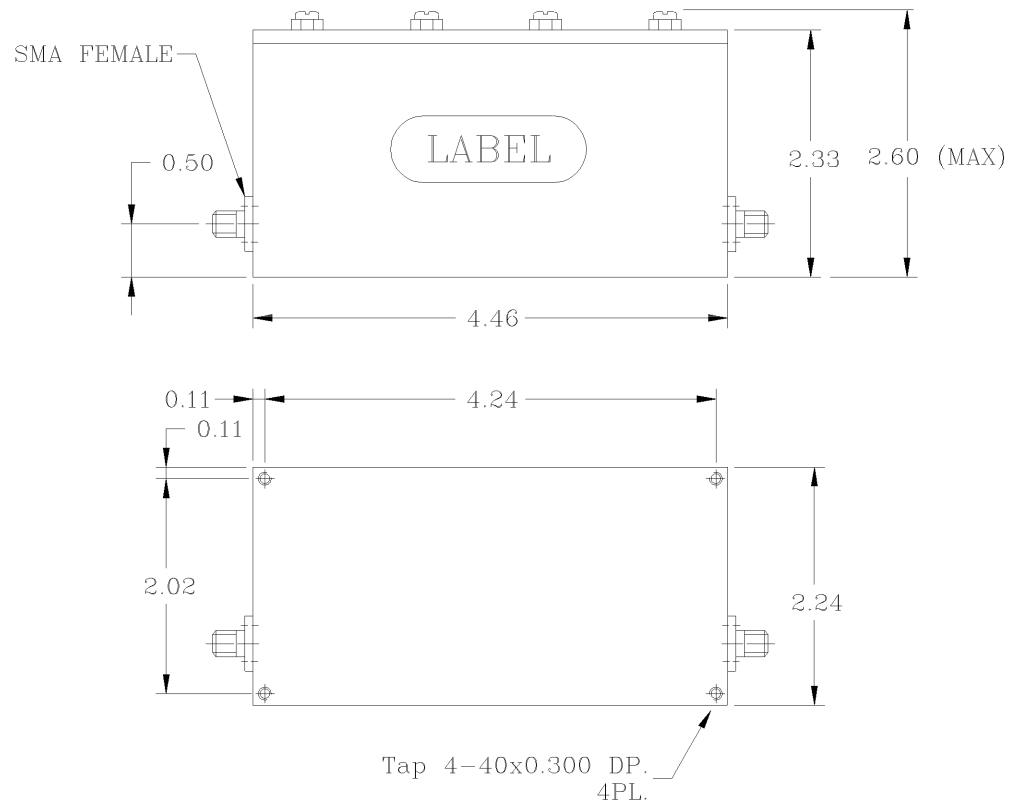


| REVISIONS |                               |       |          |
|-----------|-------------------------------|-------|----------|
| REV       |                               | DATE  | APPROVED |
| A         | Total height dimension added. | 11/14 | G. David |
|           |                               |       |          |
|           |                               |       |          |



### Electrical Specifications

- \*0.5dB Pass Band Range [MHz] : 914.7 to 925
- \*Pass Band Insertion Loss @ Fo [dB] : <1.2
- \*Pass Band Ripple [dB] : <0.5 P-T-P
- \*Rejection DC to 900 MHz [dB] : 55 (Min.), 60 (Typ.)
- @ 930 MHz [dB] : 30 (Min.), 35 (Typ.)
- @ 935 to 3000 MHz [dB] : 55 (Min.), 60 (Typ.)
- \*Pass Band Return Loss [dB] : -18 (Max.), <1.28:1
- \*Input/Output Impedance : 50 ohm
- \*RF Power Capability CW : 5 Watts
- \*Input/Output @ DC Ground Potential

OPERATING TEMPERATURE RANGE: -10°C TO +70°C

PROPRIETARY DOCUMENT:  
 THE CONTENTS OF THIS DOCUMENT WITH ALL INFORMATION AND PROCESSES ARE THE SOLE PROPERTY OF G-Way Microwave. THIS DOCUMENT MAY NOT BE DUPLICATED OR DISCLOSED TO ANY PARTY EXCEPT BY EXPRESSLY WRITTEN PERMISSION. THE ONLY AUTHORIZED USE OF THIS DOCUMENT BY A VENDOR IS FOR QUOTE PURPOSES AND SAID VENDOR AGREES NOT TO DISCLOSE ITS CONTENTS TO ANY THIRD PARTY. THIS DOCUMENT IS COPYRIGHTED 1999.

#### NOTES:

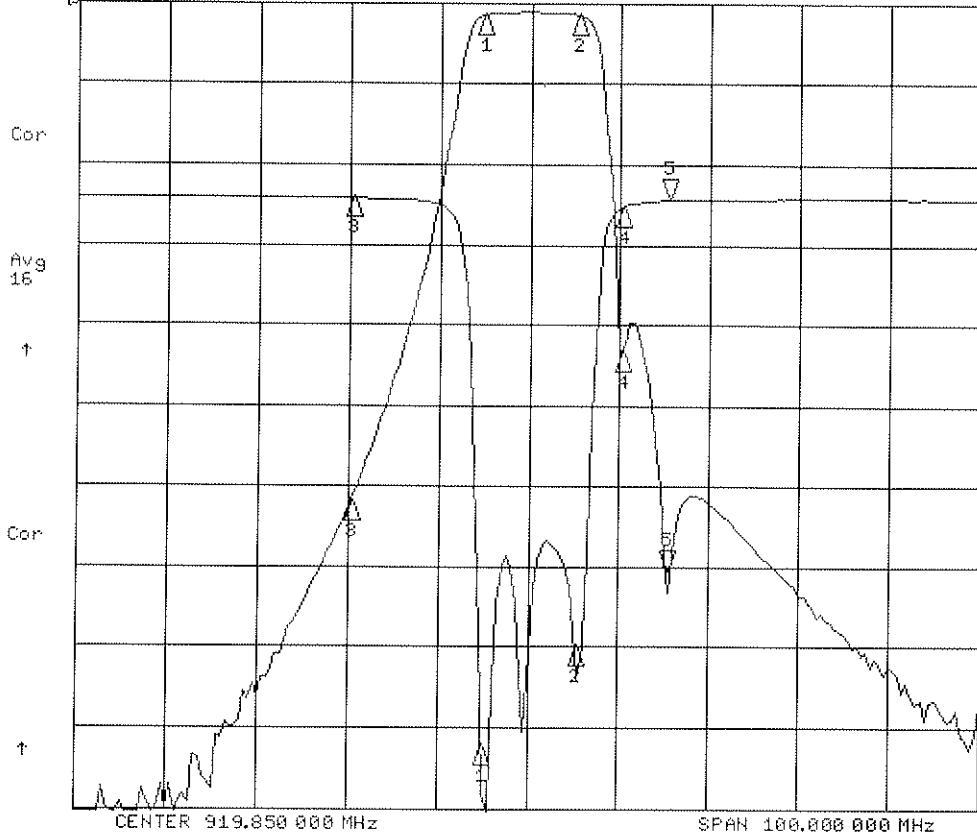
1. BREAK ALL CORNERS & EDGES.005/-.010.
2. FINAL FINISH:  
EPOXY GRAY - OPTIONAL

|  |                                      |              |                 |                        |           |                      |              |
|--|--------------------------------------|--------------|-----------------|------------------------|-----------|----------------------|--------------|
| DIMENSIONS ARE IN INCHES<br>TOLERANCES ARE |                                      | CONTRACT NO: |                 | <b>G-Way Microwave</b> |           |                      |              |
| ANGLES                                     | DECIMALS                             | APPROVALS    | DATE            |                        |           |                      |              |
| ± 1°                                       | .X ± .05<br>.XX ± .01<br>.XXX ± .003 | DRAWN Sivak  | 06/11           | SIZE                   | CAGE CODE | DWG NO:              | REV.         |
| TREATMENT                                  | CHECKED                              | ENG.         | DESIGN ACTIVITY | A                      | 3K1H4     | CB919.85/10.3SK-B2-1 | A            |
| FINISH 63/                                 |                                      | MATERIAL     |                 | SCALE None             |           |                      | SHEET 1 OF 1 |

CB 919.85/10.35K-B2

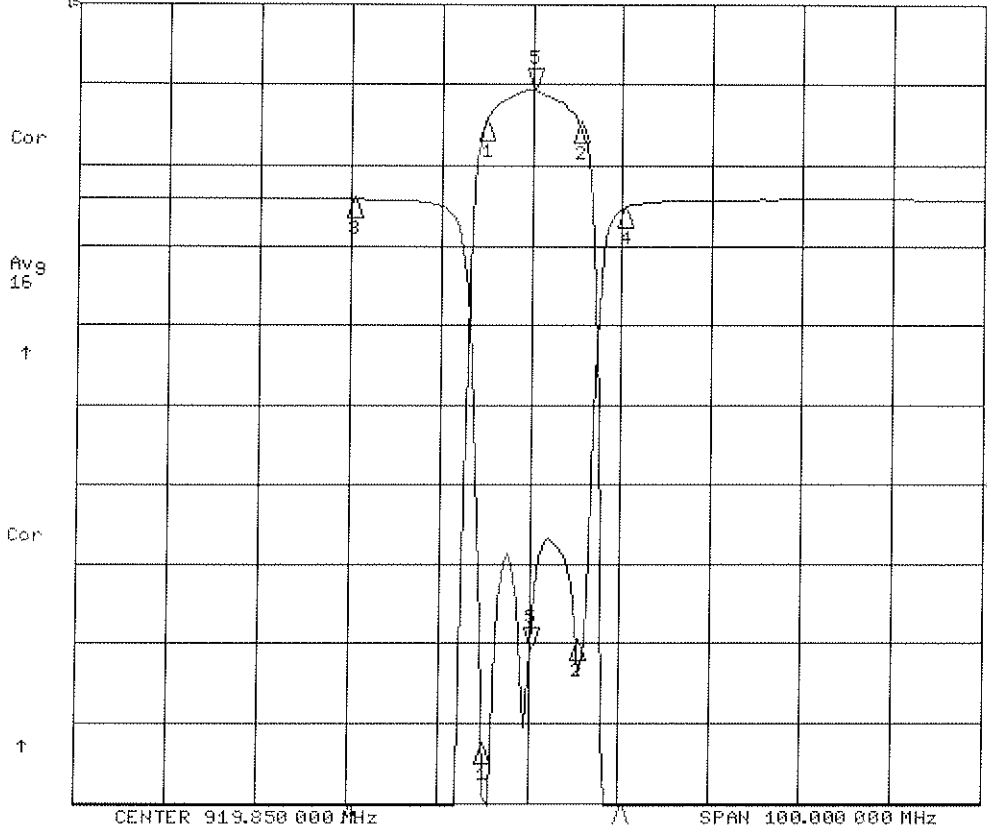
6 Jul 2011 13:29:28

CH1 S21 LOG 10 dB/REF 0 dB 5:-70.429 dB 935.000 000 MHz  
CH2 S11 LOG 5 dB/REF -18 dB 5:-19800 dB



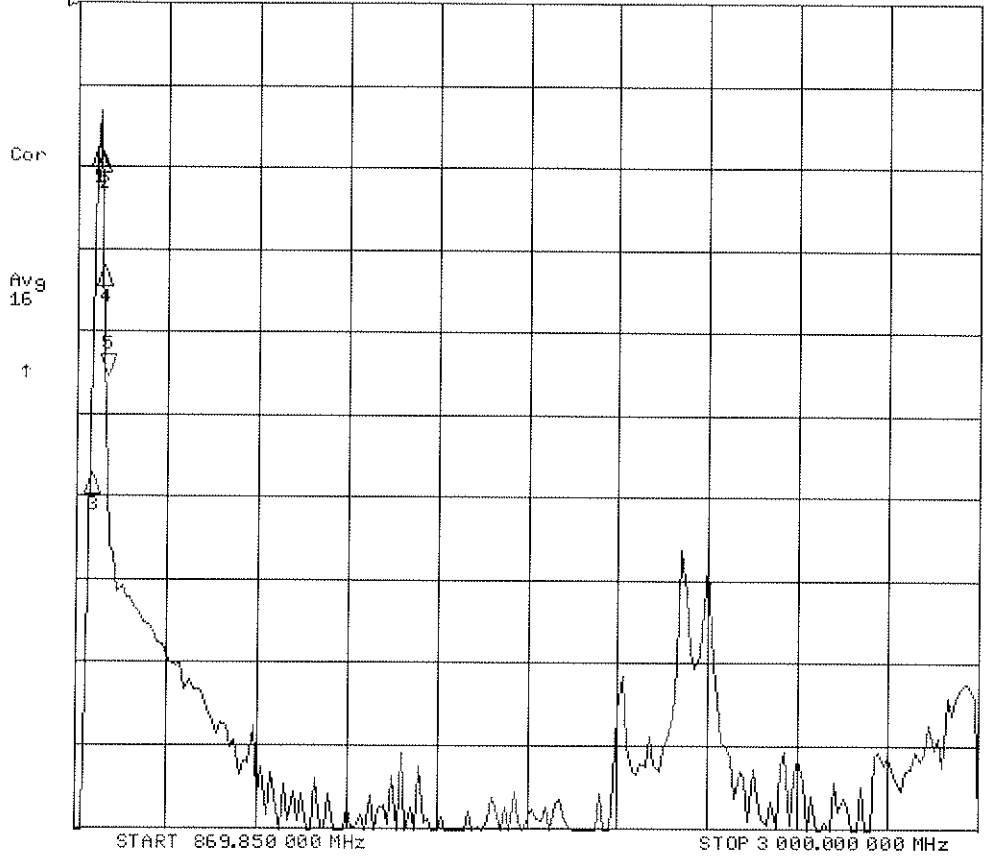
6 Jul 2011 13:29:38

CH1 S21 LOG 1 dB/REF 0 dB 5:-1.0619 dB 919.850 000 MHz  
CH2 S11 LOG 5 dB/REF -18 dB 5:-28.285 dB



6 Jul 2011 13:31:32

CH1 S21 LOG 10 dB/REF 0 dB S:-45.357 dB 935.000 000 MHz



CH1 Markers

1:-17.531 dB  
914.700 MHz

2:-18.387 dB  
925.000 MHz

3:-57.435 dB  
900.000 MHz

4:-32.251 dB  
930.000 MHz