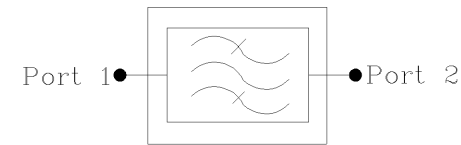
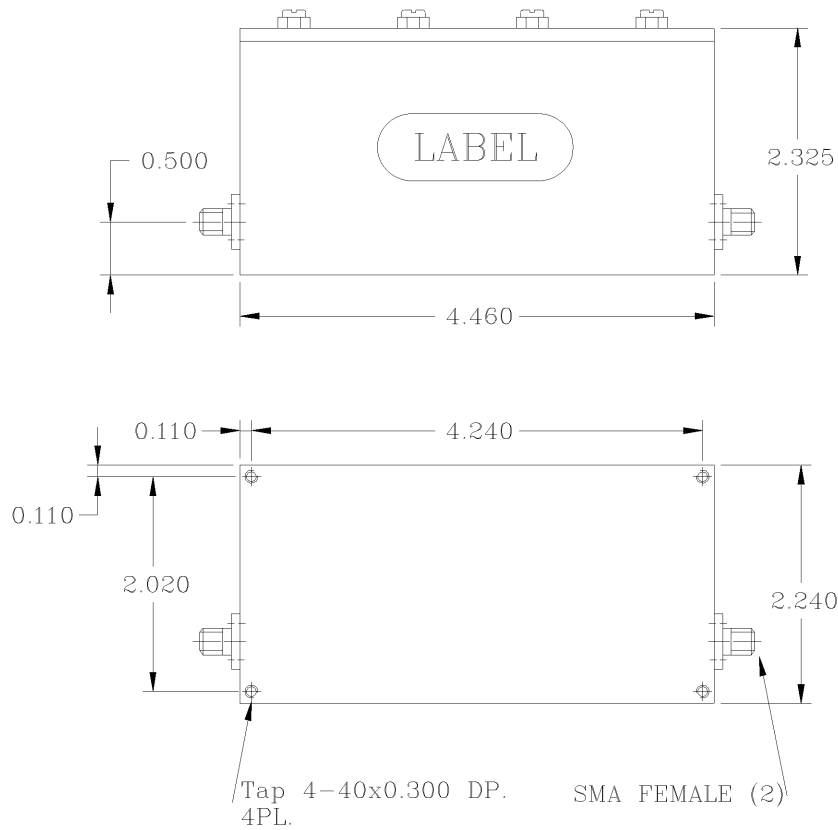


REVISIONS			
REV		DATE	APPROVED
	IN FOLDER CB872/43SK-B2		



Electrical Specifications

*Pass Band Range [MHz]	: 880 to 930
*Pass Band Insertion Loss [dB]	: <1.0, 0.6 (Typ.)
*Pass Band Ripple [dB]	: <0.4 P-T-P
*Rejection @ DC to 742 MHz [dB]	: 60 (Min.), 65 (Typ.)
1030 to 2000 MHz [dB]	: 40 (Min.), 45 (Typ.)
*Pass Band Return Loss [dB]	: -18 (Max.), <1.28:1
*Input/Output Impedance	: 50 ohm
*RF Power Capability CW	: 20 Watts
*Input/Output @ DC Ground Potential	

OPERATING TEMPERATURE RANGE: -10°C TO +55°C

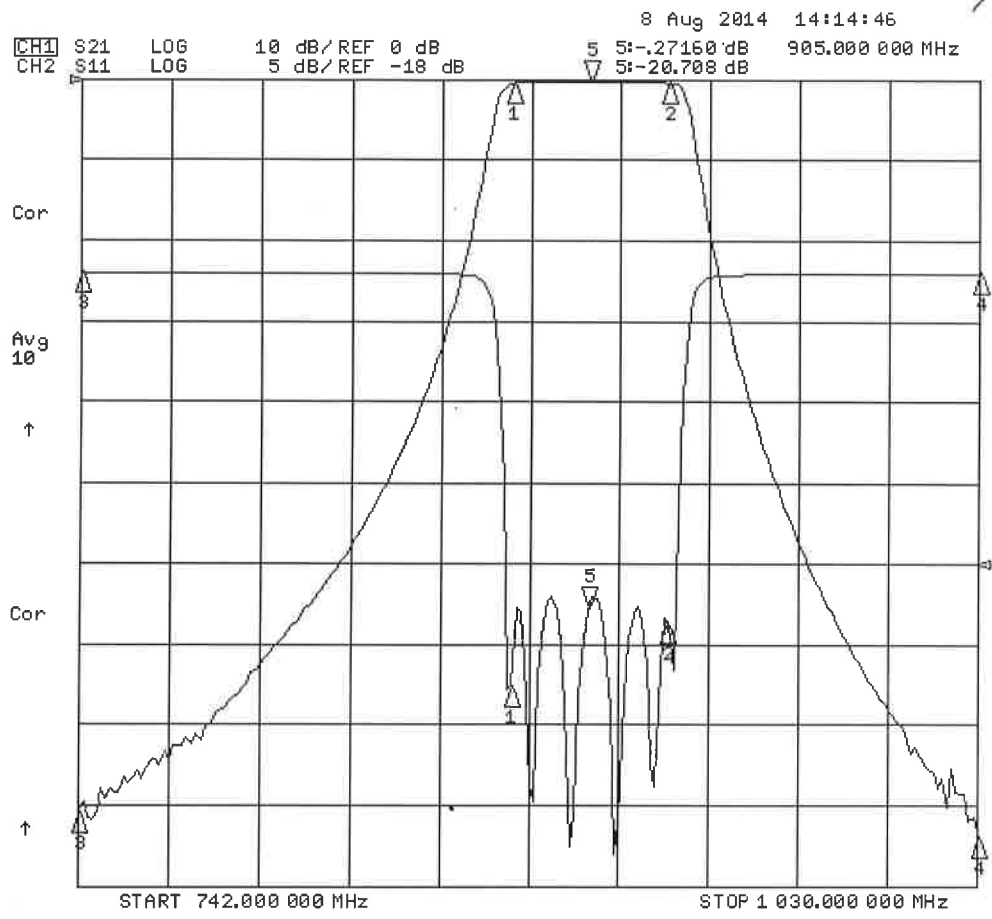
PROPRIETARY DOCUMENT:
THE CONTENTS OF THIS DOCUMENT WITH ALL INFORMATION AND PROCESSES ARE THE SOLE PROPERTY OF G-Way Microwave. THIS DOCUMENT MAY NOT BE DUPLICATED OR DISCLOSED TO ANY PARTY EXCEPT BY EXPRESSLY WRITTEN PERMISSION. THE ONLY AUTHORIZED USE OF THIS DOCUMENT BY A VENDOR IS FOR QUOTE PURPOSES AND SAID VENDOR AGREES NOT TO DISCLOSE ITS CONTENTS TO ANY THIRD PARTY. THIS DOCUMENT IS COPYRIGHTED 1998.

NOTES:

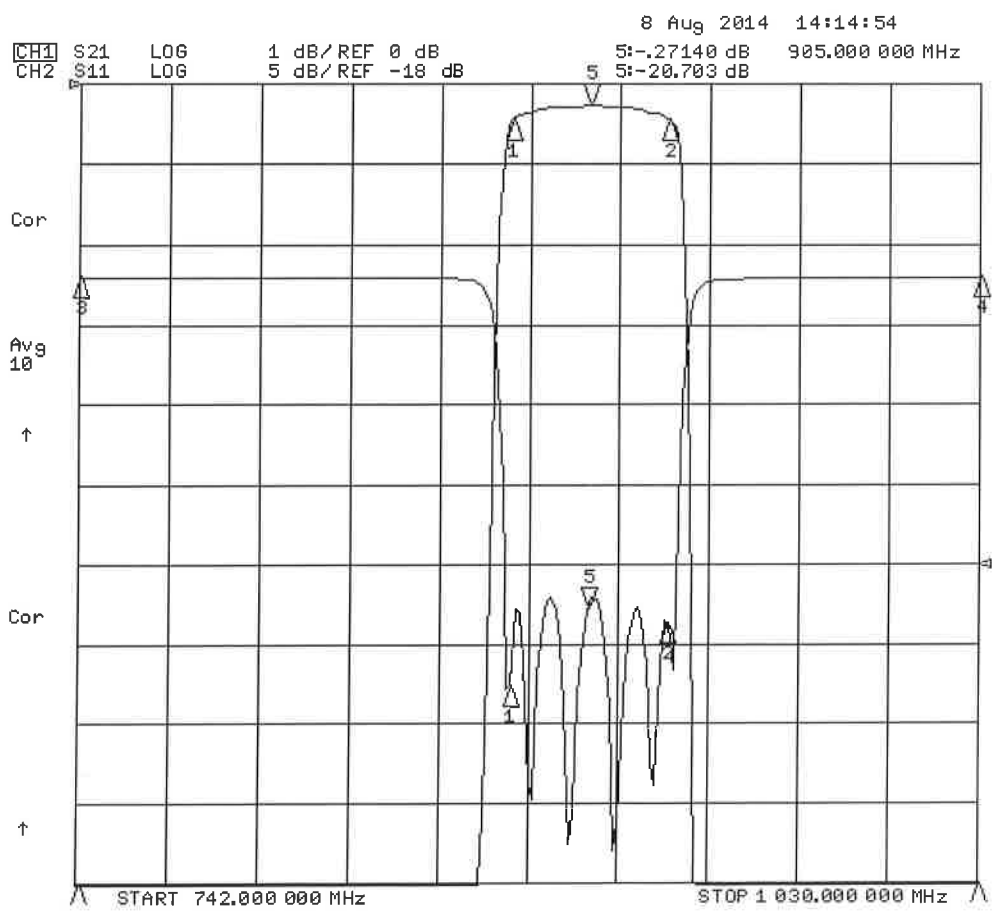
1. BREAK ALL CORNERS & EDGES.005/.010.
2. FINAL FINISH:
EPOXY GRAY - OPTIONAL

DIMENSIONS ARE IN INCHES		CONTRACT NO:		G-Way Microwave			
TOLERANCES ARE ANGLES DECIMALS		APPROVALS DATE					
± 1"	.X ± .05 .XX ± .01 .XXX ± .003	DRAWN Sivak 08/14		Band Pass Filter GSM900 CB905/50SK-B2			
TREATMENT		CHECKED		SIZE	CAGE CODE	DWG NO:	REV.
FINISH 63/		ENG. DESIGN ACTIVITY		A	3K1H4	CB905/50SK-B2-1	0
MATERIAL				SCALE None		SHEET 1 OF 1	

CB905/50.5K-BE



- CH1 Markers
- 1:-44.710 dB
880.000 MHz
 - 2:-45.030 dB
930.000 MHz
 - 3:-91.065 dB
742.000 MHz
 - 4:-94.067 dB
1.03000 GHz
- CH2 Markers
- 1:-25.602 dB
880.000 MHz
 - 2:-21.649 dB
930.000 MHz
 - 3:-.03000 dB
742.000 MHz
 - 4:-.05000 dB
1.03000 GHz

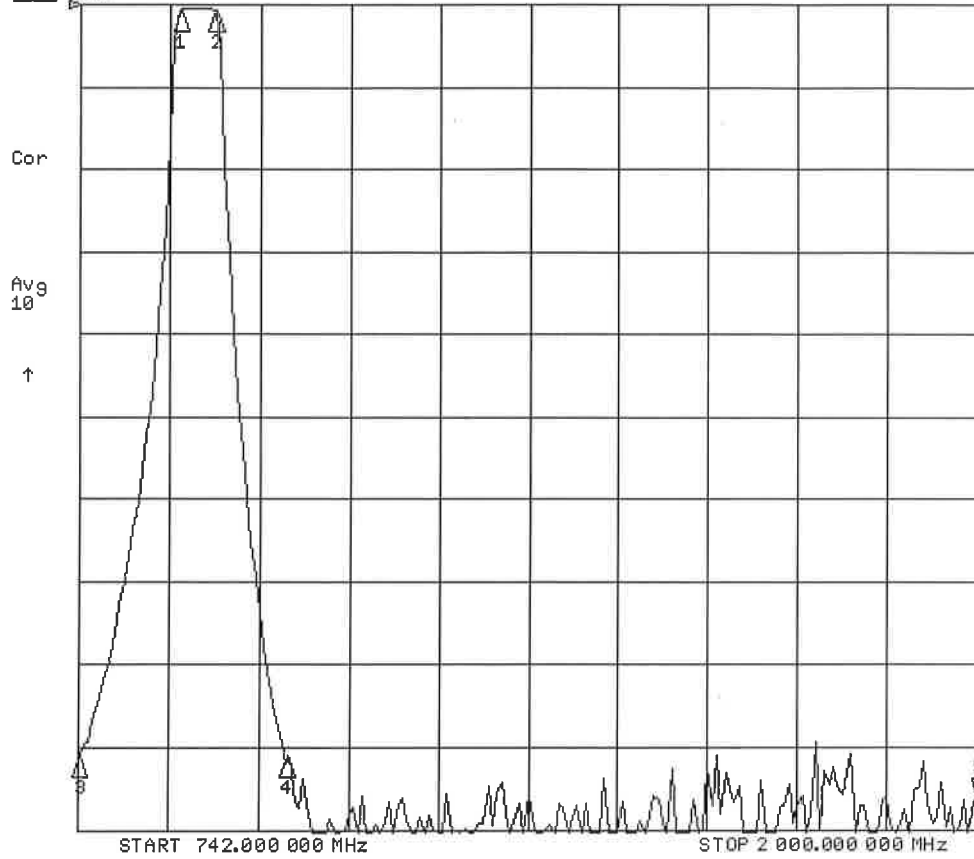


- CH1 Markers
- 1:-44.710 dB
880.000 MHz
 - 2:-45.070 dB
930.000 MHz
 - 3:-88.678 dB
742.000 MHz
 - 4:-90.447 dB
1.03000 GHz
- CH2 Markers
- 1:-25.585 dB
880.000 MHz
 - 2:-21.660 dB
930.000 MHz
 - 3:-.03040 dB
742.000 MHz
 - 4:-.05060 dB
1.03000 GHz

8 Aug 2014 14:16:48

CH1 S21 LOG 10 dB/REF 0 dB

5: -96.456 dB 2 000.000 000 MHz



CH1 Markers

1: -91.130 dB
880.000 MHz

2: -79.350 dB
930.000 MHz

3: -91.275 dB
742.000 MHz

4: -91.109 dB
1.033000 GHz