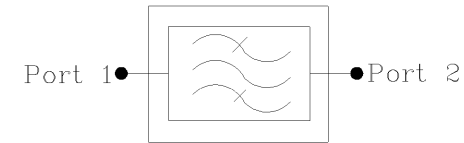
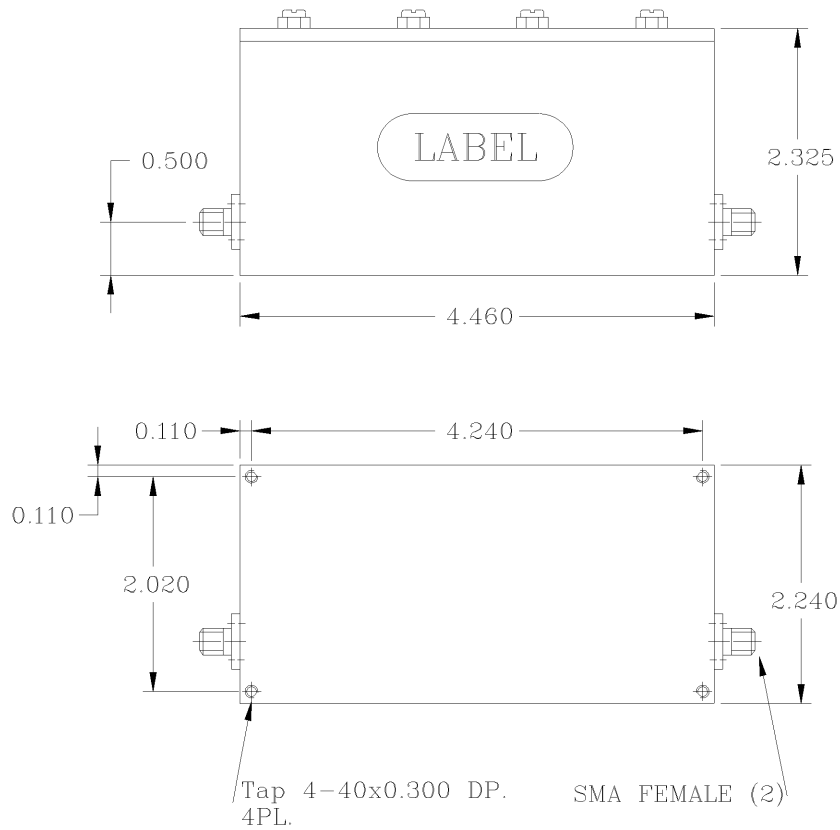


REVISIONS			
REV		DATE	APPROVED
	IN FOLDER CB872/43SK-B2		



Electrical Specifications

*Pass Band Range [MHz]	: 880 to 915
*Pass Band Insertion Loss [dB]	: <0.5
*Pass Band Ripple [dB]	: <0.5 P-T-P
*Rejection @ DC to 800 MHz [dB]	: 45 (Min.), 60 (Typ.)
925 to 960 MHz [dB]	: 40 (Min.)
*Pass Band Return Loss [dB]	: -18 (Max.), <1.28:1
*Input/Output Impedance	: 50 ohm
*RF Power Capability CW	: 20 Watts
*Input/Output @ DC Ground Potential	

OPERATING TEMPERATURE RANGE: -20°C TO +75°C

PROPRIETARY DOCUMENT:
THE CONTENTS OF THIS DOCUMENT WITH ALL INFORMATION AND PROCESSES ARE THE SOLE PROPERTY OF G-Way Microwave. THIS DOCUMENT MAY NOT BE DUPLICATED OR DISCLOSED TO ANY PARTY EXCEPT BY EXPRESSLY WRITTEN PERMISSION. THE ONLY AUTHORIZED USE OF THIS DOCUMENT BY A VENDOR IS FOR QUOTE PURPOSES AND SAID VENDOR AGREES NOT TO DISCLOSE ITS CONTENTS TO ANY THIRD PARTY. THIS DOCUMENT IS COPYRIGHTED 1998.

NOTES:

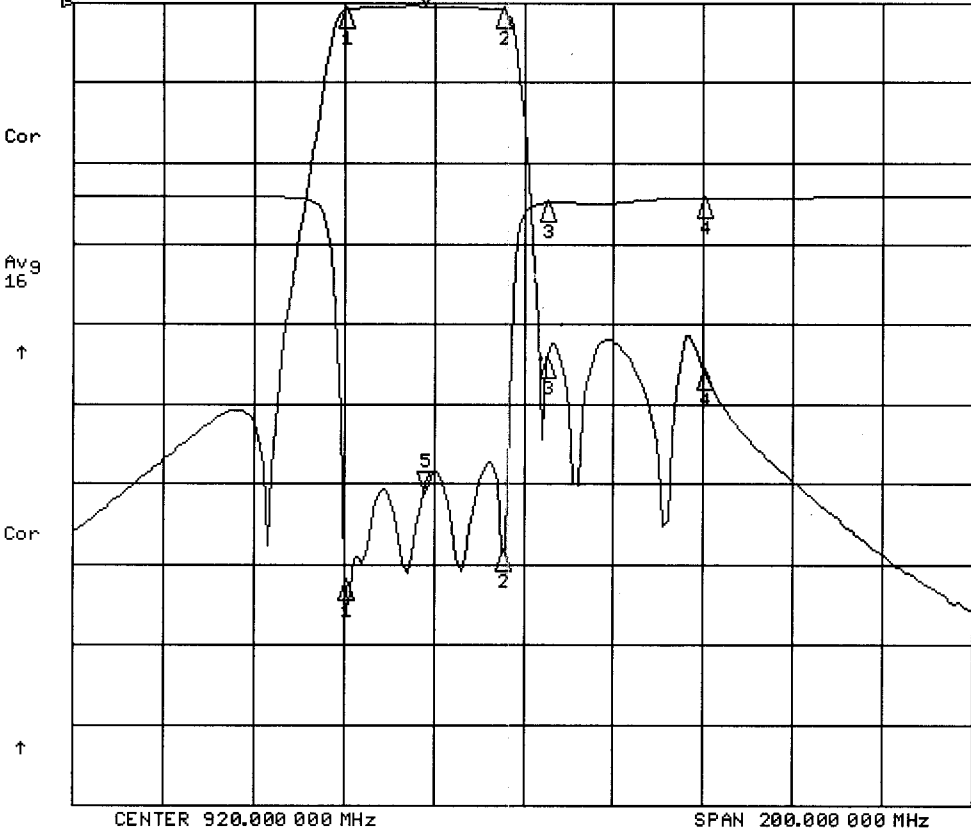
- BREAK ALL CORNERS & EDGES.005/.010.
- FINAL FINISH:
EPOXY GRAY - OPTIONAL

DIMENSIONS ARE IN INCHES TOLERANCES ARE		CONTRACT NO:		G-Way Microwave			
ANGLES	DECIMALS	APPROVALS	DATE				
± 1°	.X ± .05 .XX ± .01 .XXX ± .003	DRAWN Sivak	10/08	Band Pass Filter			
TREATMENT	CHECKED			CB897.5/35SK-B2			
FINISH 63/	ENG.			SIZE	CAGE CODE	DWG NO:	REV.
	DESIGN ACTIVITY			A	3K1H4	CB897.5.5/35SK-B2-1	0
MATERIAL				SCALE	None		SHEET 1 OF 1

CB 897.5/355K-B2

28 Oct 2008 10:32:54

CH1 S21 LOG 10 dB/REF 0 dB 5:-.45600 dB 897.500 000 MHz
 CH2 S11 LOG 5 dB/REF -18 dB 5:-18.552 dB



CH1 Markers

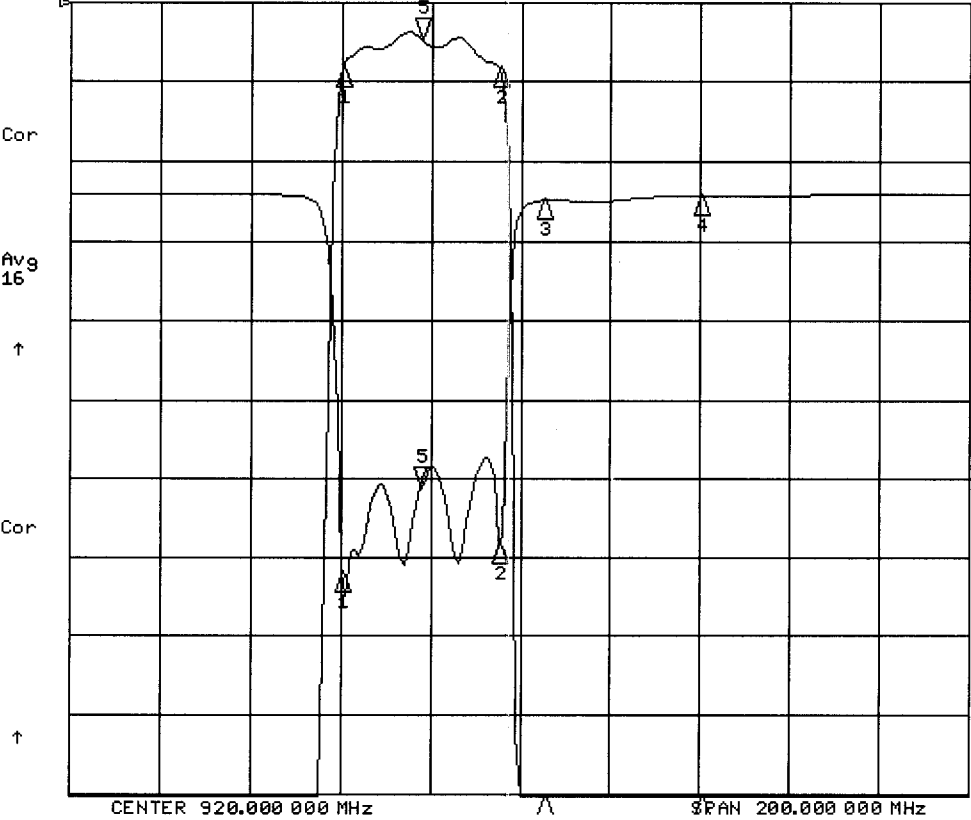
- 1:-.81390 dB
880.000 MHz
- 2:-.81800 dB
915.000 MHz
- 3:-44.302 dB
925.000 MHz
- 4:-45.816 dB
960.000 MHz

CH2 Markers

- 1:-23.954 dB
880.000 MHz
- 2:-22.221 dB
915.000 MHz
- 3:-.45610 dB
925.000 MHz
- 4:-.15360 dB
960.000 MHz

28 Oct 2008 10:33:07

CH1 S21 LOG 1 dB/REF 0 dB 5:-.45550 dB 897.500 000 MHz
 CH2 S11 LOG 5 dB/REF -18 dB 5:-18.552 dB



CH1 Markers

- 1:-.81480 dB
880.000 MHz
- 2:-.82230 dB
915.000 MHz
- 3:-44.271 dB
925.000 MHz
- 4:-45.824 dB
960.000 MHz

CH2 Markers

- 1:-24.017 dB
880.000 MHz
- 2:-22.177 dB
915.000 MHz
- 3:-.45850 dB
925.000 MHz
- 4:-.14940 dB
960.000 MHz