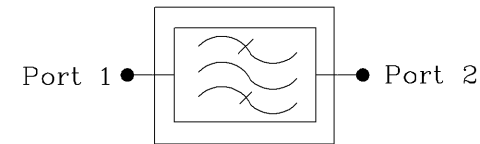
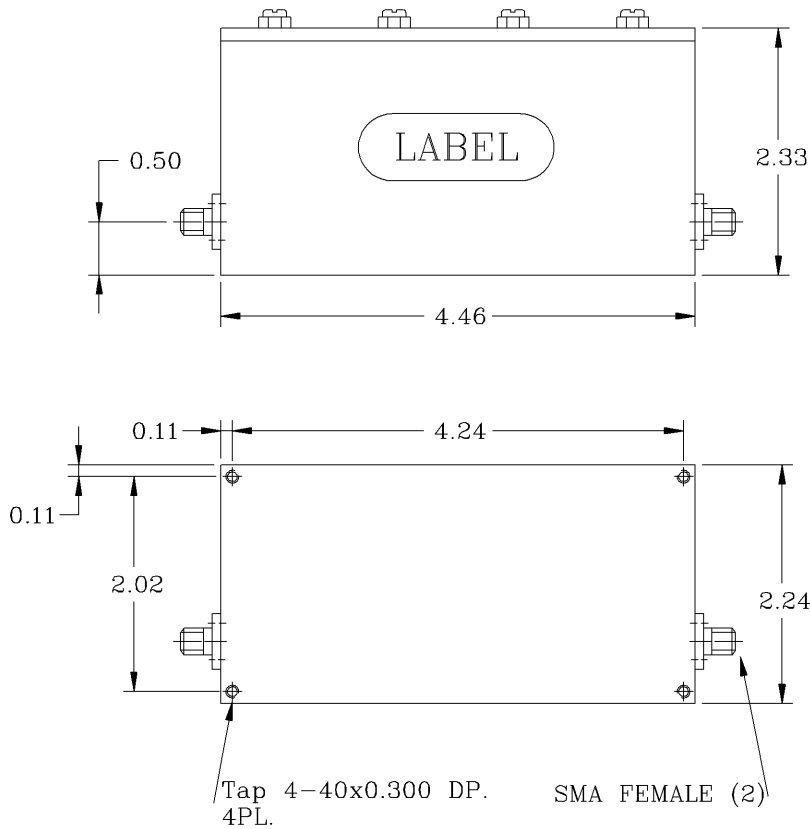


REVISIONS			
REV		DATE	APPROVED



### Electrical Specifications

*Pass Band Range [MHz]	: 794 to 816
*Pass Band Insertion Loss [dB]	: <0.9
*Insertion Loss @ 816 MHz [dB]	: <1.5 (Max)
*Pass Band Ripple [dB]	: <0.6 P-T-P
*Rejection @ 821 to 880 MHz [dB]	: 40 (Min.), 45 (Typ.)
*Pass Band Return Loss [dB]	: -20 (Max.), <1.23:1
*Input/Output Impedance	: 50 ohm
*RF Power Capability CW	: 10 Watts
*Input/Output @ DC Ground Potential	

OPERATING TEMPERATURE RANGE: -20°C TO +75°C

PROPRIETARY DOCUMENT:  
THE CONTENTS OF THIS DOCUMENT WITH ALL INFORMATION AND PROCESSES ARE THE SOLE PROPERTY OF G-Way Microwave. THIS DOCUMENT MAY NOT BE DUPLICATED OR DISCLOSED TO ANY PARTY EXCEPT BY EXPRESSLY WRITTEN PERMISSION. THE ONLY AUTHORIZED USE OF THIS DOCUMENT BY A VENDOR IS FOR QUOTE PURPOSES AND SAID VENDOR AGREES NOT TO DISCLOSE ITS CONTENTS TO ANY THIRD PARTY. THIS DOCUMENT IS COPYRIGHTED 1998.

#### NOTES:

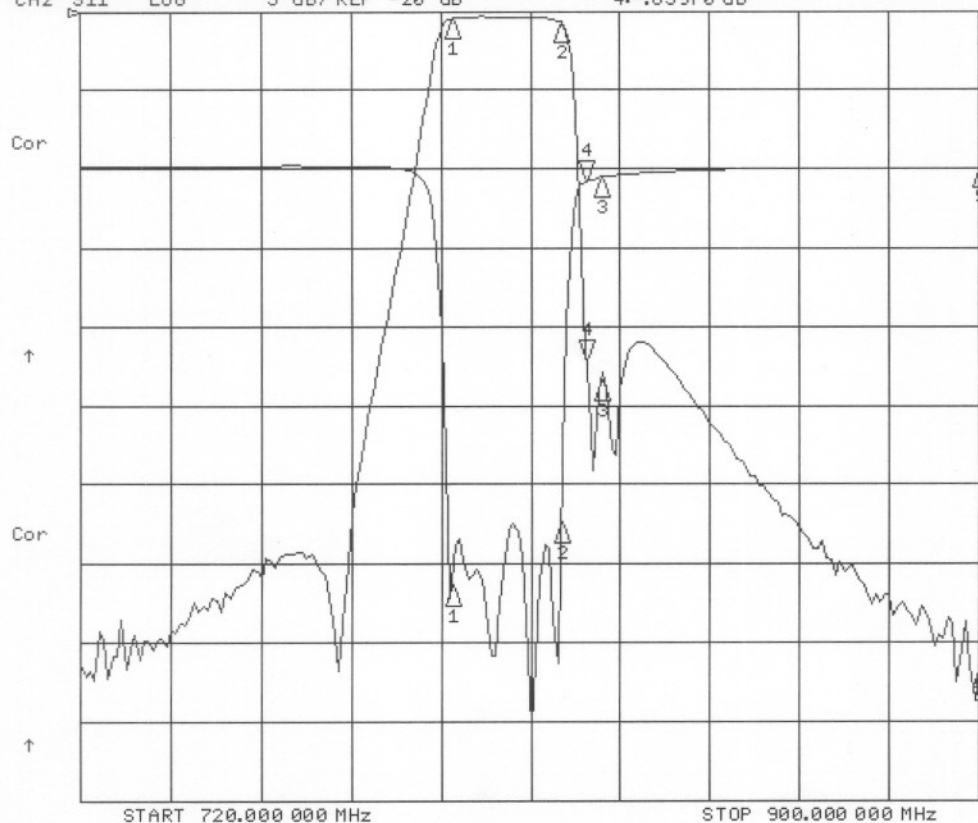
- BREAK ALL CORNERS & EDGES.005/.010.
- FINAL FINISH:  
EPOXY GRAY - OPTIONAL

DIMENSIONS ARE IN INCHES TOLERANCES ARE		CONTRACT NO:		<b>G-Way Microwave</b>			
ANGLES	DECIMALS	APPROVALS	DATE	TITLE			
± 1°	.X ± .05 .XX ± .01 .XXX ± .003	DRAWN Sivak	06/07	Band Pass Filter			
TREATMENT	CHECKED			CB805/22SK-B2			
FINISH 63/	ENG.	SIZE	CAGE CODE	DWG NO:	REV.		
	DESIGN ACTIVITY	A	3K1H4	CB805/22SK-B2-1	0		
MATERIAL		SCALE	None			SHEET	1 OF 1

CB805/22SK-B2

18 Jun 2007 08:49:40

CH1 S21 LOG 10 dB/REF 0 dB 4:-44.230 dB 821.000 000 MHz  
 CH2 S11 LOG 5 dB/REF -20 dB 4:-.85970 dB



CH1 Markers

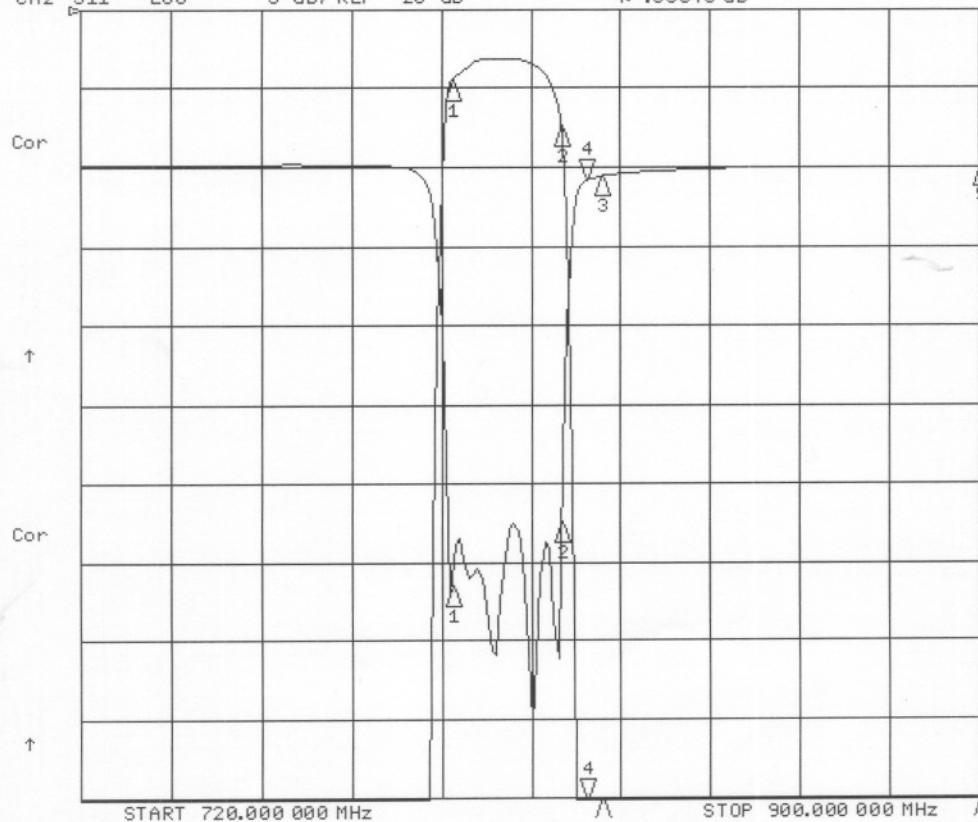
- 1:-.91410 dB  
794.000 MHz
- 2:-1.4610 dB  
816.000 MHz
- 3:-46.921 dB  
824.000 MHz
- 5:-83.321 dB  
900.000 MHz

CH2 Markers

- 1:-26.473 dB  
794.000 MHz
- 2:-22.540 dB  
816.000 MHz
- 3:-.57020 dB  
824.000 MHz
- 5:-.00000 dB  
900.000 MHz

18 Jun 2007 08:49:50

CH1 S21 LOG 1 dB/REF 0 dB 4:-44.112 dB 821.000 000 MHz  
 CH2 S11 LOG 5 dB/REF -20 dB 4:-.88640 dB



CH1 Markers

- 1:-.92290 dB  
794.000 MHz
- 2:-1.5047 dB  
816.000 MHz
- 3:-46.934 dB  
824.000 MHz
- 5:-84.003 dB  
900.000 MHz

CH2 Markers

- 1:-26.535 dB  
794.000 MHz
- 2:-22.506 dB  
816.000 MHz
- 3:-.55260 dB  
824.000 MHz
- 5:-.00560 dB  
900.000 MHz