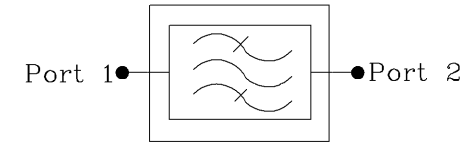
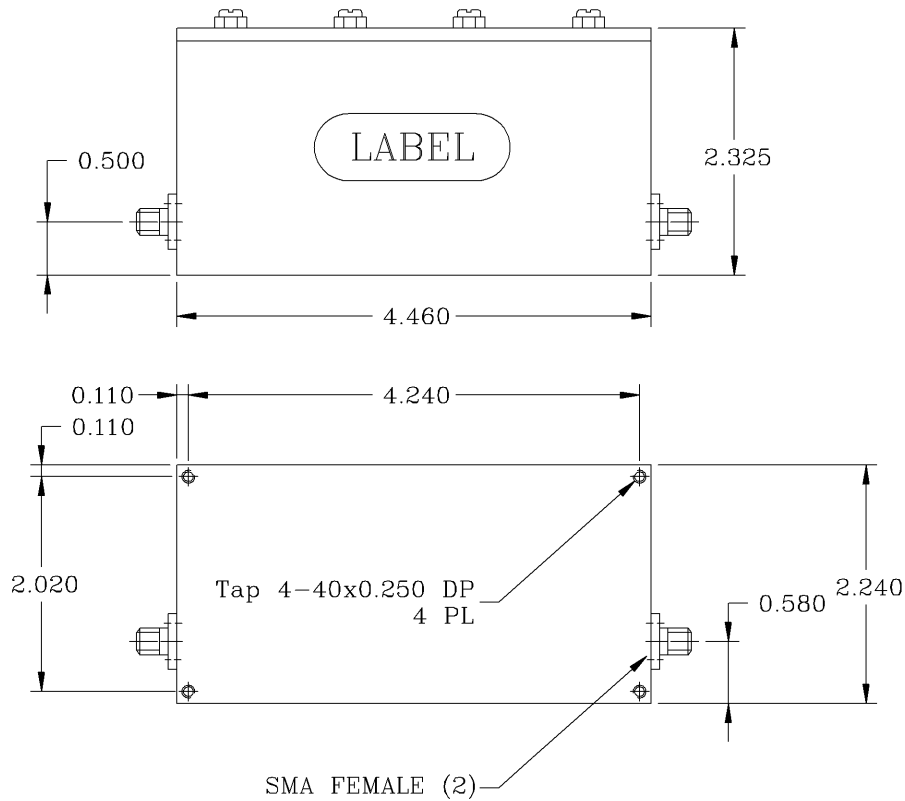


REVISIONS			
REV		DATE	APPROVED



Electrical Specifications

*1dB Pass Band Range [MHz]	: 763 to 775
*Pass Band Insertion Loss [dB]	: <1.2, 1.1 (Typ.)
*Pass Band Ripple [dB]	: <0.5 P-T-P
*Rejection @ Passband \pm 4 MHz [dB]	: 30 (Min.), 35 (Typ.)
*Attenuation @ DC to 740 MHz [dB]	: 50 (Min.), 60 (Typ.)
@ 806 to 1000 MHz [dB]	: 50 (Min.), 70 (Typ.)
*Pass Band Return Loss [dB]	: -18 (Max.), <1.28:1
*Input/Output Impedance	: 50 ohm
*RF Power Capability CW	: 5 Watts
*Input/Output @ DC Ground Potential	

OPERATING TEMPERATURE RANGE: -20°C TO +55°C

PROPRIETARY DOCUMENT:
 THE CONTENTS OF THIS DOCUMENT WITH ALL INFORMATION AND PROCESSES ARE THE SOLE PROPERTY OF G-Way Microwave. THIS DOCUMENT MAY NOT BE DUPLICATED OR DISCLOSED TO ANY PARTY EXCEPT BY EXPRESSLY WRITTEN PERMISSION. THE ONLY AUTHORIZED USE OF THIS DOCUMENT BY A VENDOR IS FOR QUOTE PURPOSES AND SAID VENDOR AGREES NOT TO DISCLOSE ITS CONTENTS TO ANY THIRD PARTY. THIS DOCUMENT IS COPYRIGHTED 1998.

NOTES:

- BREAK ALL CORNERS & EDGES.005/.010.
- FINAL FINISH:
EPOXY GRAY - OPTIONAL

DIMENSIONS ARE IN INCHES TOLERANCES ARE		CONTRACT NO:		G-Way Microwave			
ANGLES	DECIMALS	APPROVALS	DATE	TITLE Public Safety DL Filter			
\pm 1°	.X \pm .05 .XX \pm .01 .XXX \pm .003	DRAWN Segal	03/08	CB769/12SK-B2			
TREATMENT	CHECKED			SIZE	CAGE CODE	DWG NO:	REV.
FINISH \checkmark 63/	ENG.			A	3K1H4	CB769/12SK-B2-1	0
MATERIAL	DESIGN ACTIVITY			SCALE	None		SHEET 1 OF 1

C13769/12SK-B2

