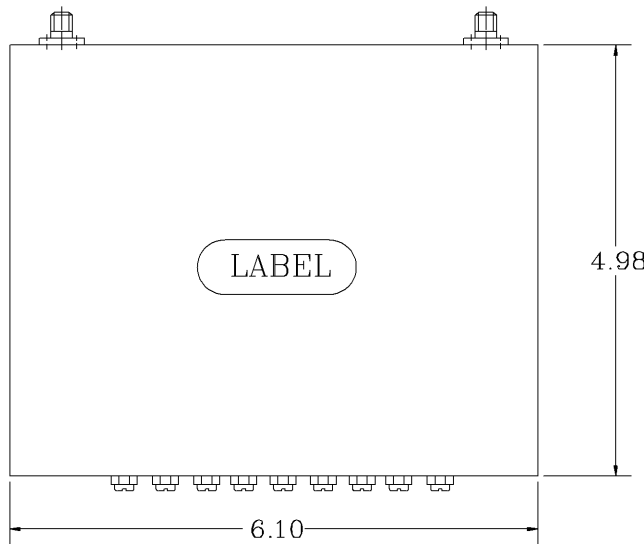
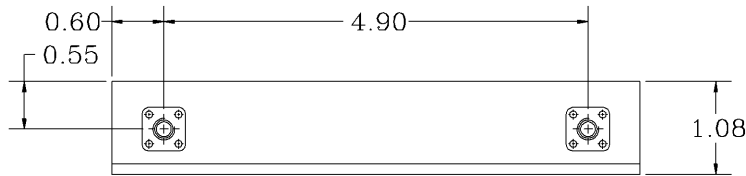
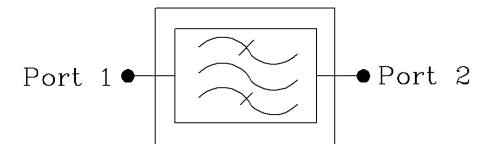
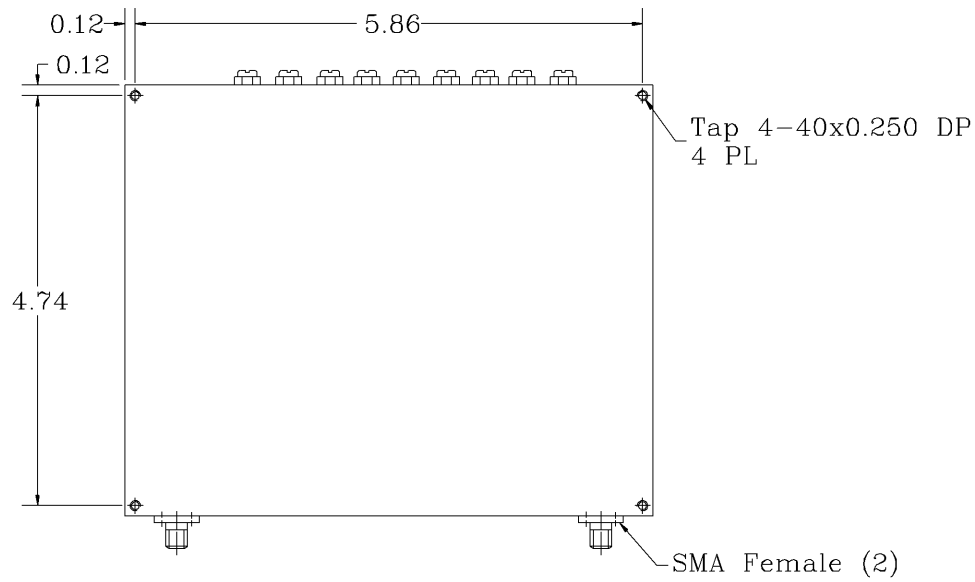


REVISIONS			
REV		DATE	APPROVED



Electrical Specifications

- *1dB Pass Band Range [MHz] : 535 to 595
- *Pass Band Insertion Loss @ Fo [dB] : <0.5, 0.3 (Typ.)
- *Pass Band Ripple [dB] : < 0.5 P-T-P
- *Attenuation @ 614 MHz [dB] : 40 (Min.)
- *Pass Band Return Loss [dB] : -16 (Max.)
- *Input/Output Impedance : 50 ohm
- *RF Power Capability CW : 35 Watts
- *Input/Output @ DC Ground Potential

OPERATING TEMPERATURE RANGE: -40°C TO +85°C

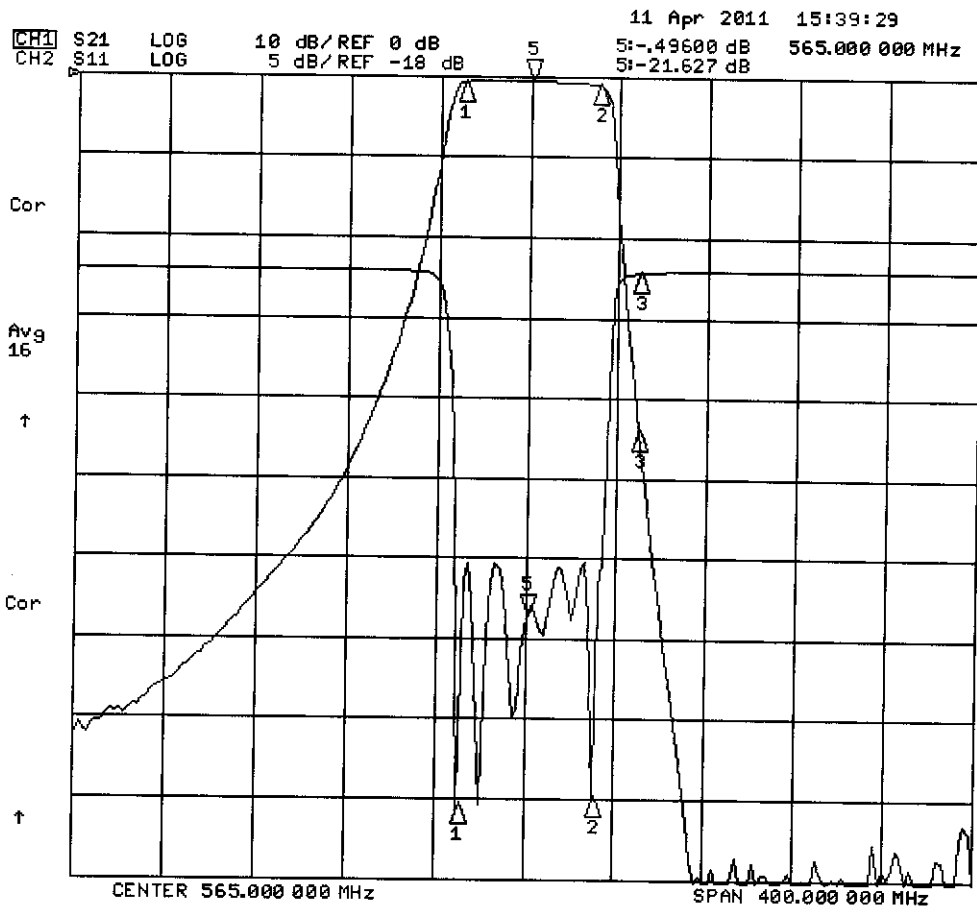
PROPRIETARY DOCUMENT:
 THE CONTENTS OF THIS DOCUMENT WITH ALL INFORMATION AND PROCESSES ARE THE SOLE PROPERTY OF G-Way Microwave. THIS DOCUMENT MAY NOT BE DUPLICATED OR DISCLOSED TO ANY PARTY EXCEPT BY EXPRESSLY WRITTEN PERMISSION. THE ONLY AUTHORIZED USE OF THIS DOCUMENT BY A VENDOR IS FOR QUOTE PURPOSES AND SAID VENDOR AGREES NOT TO DISCLOSE ITS CONTENTS TO ANY THIRD PARTY. THIS DOCUMENT IS COPYRIGHTED 1998.

NOTES:

1. BREAK ALL CORNERS & EDGES.005/.010.
2. FINAL FINISH:
EPOXY GRAY - OPTIONAL

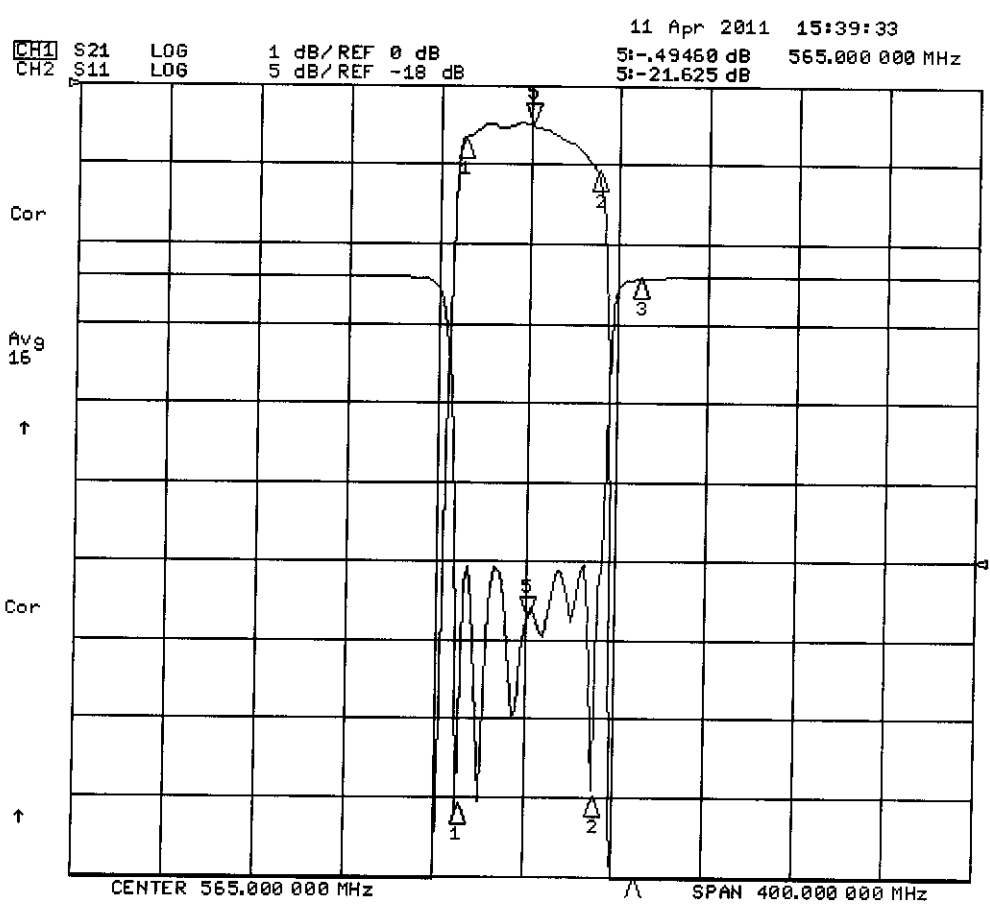
DIMENSIONS ARE IN INCHES TOLERANCES ARE ANGLES DECIMALS		CONTRACT NO:		G-Way Microwave					
± 1"	X ± .05 XX ± .01 XXX ± .003	APPROVALS	DATE					TITLE Band Pass Filter 565 MHz	
TREATMENT	FINISH 63/	DRAWN Segal	04/11	CB565/60SK-C		SIZE	CAGE CODE	DWG NO:	REV.
		CHECKED		A	3K1H4	CB565/60SK-C-1			0
MATERIAL		ENG. DESIGN ACTIVITY		SCALE None				SHEET 1	OF 1

CB565/60SK-C
N/P



CH1 Markers
 1i: -6.7940 dB
 535.000 MHz
 2i: -1.0823 dB
 595.000 MHz
 3i: -44.027 dB
 614.000 MHz

CH2 Markers
 1i: -33.435 dB
 535.000 MHz
 2i: -32.920 dB
 595.000 MHz
 3i: -20370 dB
 614.000 MHz



CH1 Markers
 1i: -6.7450 dB
 535.000 MHz
 2i: -1.0792 dB
 595.000 MHz
 3i: -44.043 dB
 614.000 MHz

CH2 Markers
 1i: -33.463 dB
 535.000 MHz
 2i: -33.005 dB
 595.000 MHz
 3i: -20480 dB
 614.000 MHz