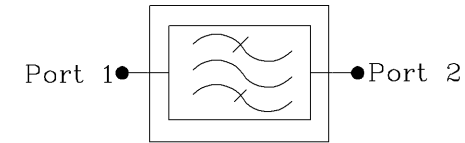
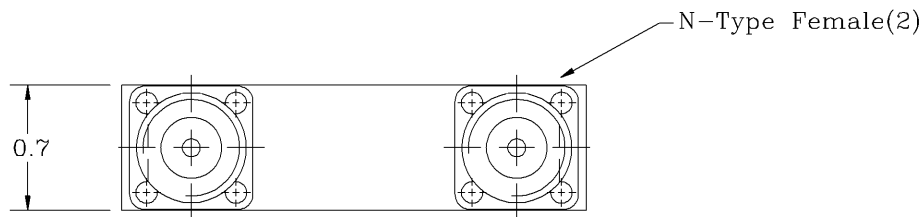
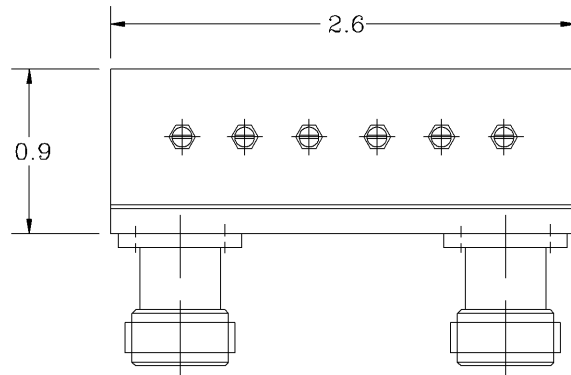


REVISIONS			
REV		DATE	APPROVED



Electrical Specifications

- *Pass Band Frequency Range [MHz] : 4900 to 5850
- *Pass Band Insertion Loss (including Riple) [dB] : 0.50 (Max.), 0.4 (Typ.)
- *Pass Band Ripple [dB] : < 0.4 P-T-P
- *Attenuation @ DC to 2700 MHz [dB] : 60 (Min.), 75 (Typ.)
- @ 2700 to 3760 MHz [dB] : 50 (Min.), 55 (Typ.)
- @ 7000 to 16000 MHz [dB] : 40 (Min.), 50 (Typ.)
- *Pass Band Return Loss [dB] : -18 (Max.), <1.28:1
- *Input/Output Impedance : 50 ohm
- *Input/Output @ DC Ground Potential
- *RF Power Capability Average : 2 Watts

OPERATING TEMPERATURE RANGE: -20°C TO +65°C

PROPRIETARY DOCUMENT:
 THE CONTENTS OF THIS DOCUMENT WITH ALL INFORMATION AND PROCESSES ARE THE SOLE PROPERTY OF G-Way Microwave. THIS DOCUMENT MAY NOT BE DUPLICATED OR DISCLOSED TO ANY PARTY EXCEPT BY EXPRESSLY WRITTEN PERMISSION. THE ONLY AUTHORIZED USE OF THIS DOCUMENT BY A VENDOR IS FOR QUOTE PURPOSES AND SAID VENDOR AGREES NOT TO DISCLOSE ITS CONTENTS TO ANY THIRD PARTY. THIS DOCUMENT IS COPYRIGHTED 1998.

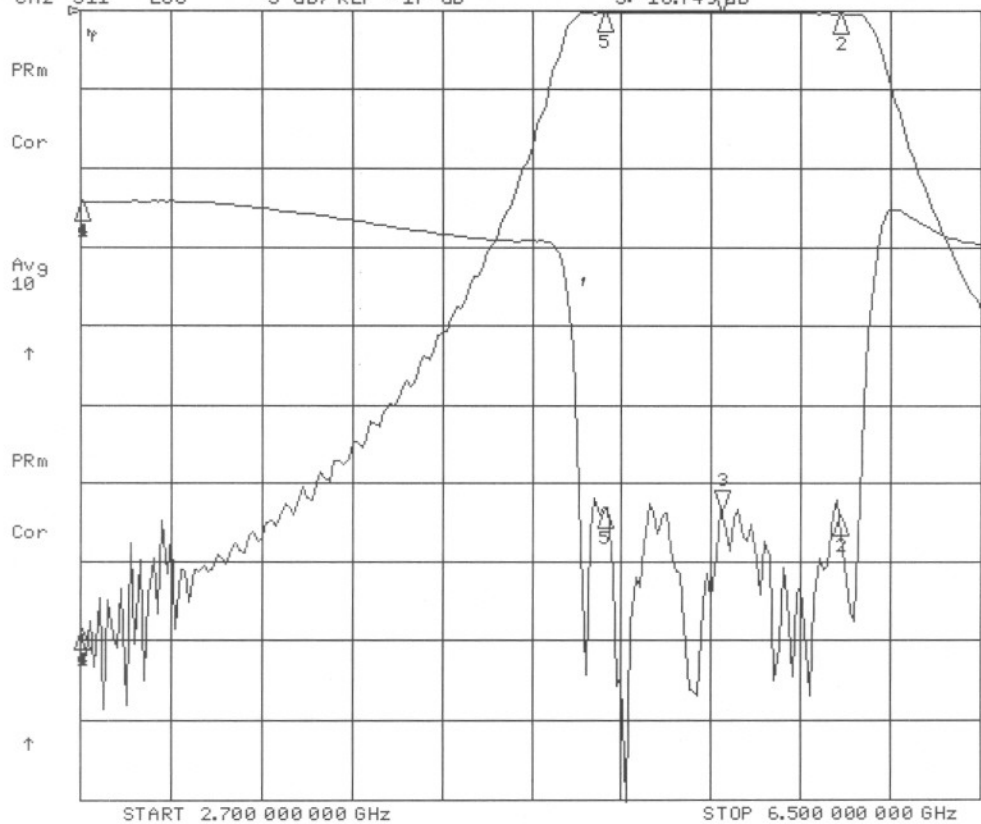
NOTES:

1. BREAK ALL CORNERS & EDGES.005/.010.
2. FINAL FINISH:
EPOXY GRAY - OPTIONAL

DIMENSIONS ARE IN INCHES TOLERANCES ARE		CONTRACT NO:		G-Way Microwave			
ANGLES	DECIMALS	APPROVALS	DATE				
± 1°	X ± .05 XX ± .01 XXX ± .003	DRAWN Sivak	10/06	Band Pass Filter 5370 MHz		0	
TREATMENT	CHECKED	ENG.	DESIGN ACTIVITY	SIZE	CAGE CODE	DWG NO:	
FINISH 63/				A	3K1H4	ACB5370/950SK-D3-1	
MATERIAL AL6061-T6				SCALE	None	SHEET 1 OF 1	

CB5370/950SK-D3

19 Oct 2006 15:57:06
 CH1 S21 LOG 10 dB/REF 0 dB 3:-.37500 dB 5.400 000 000 GHz
 CH2 S11 LOG 5 dB/REF -17 dB 3:-18.749 dB



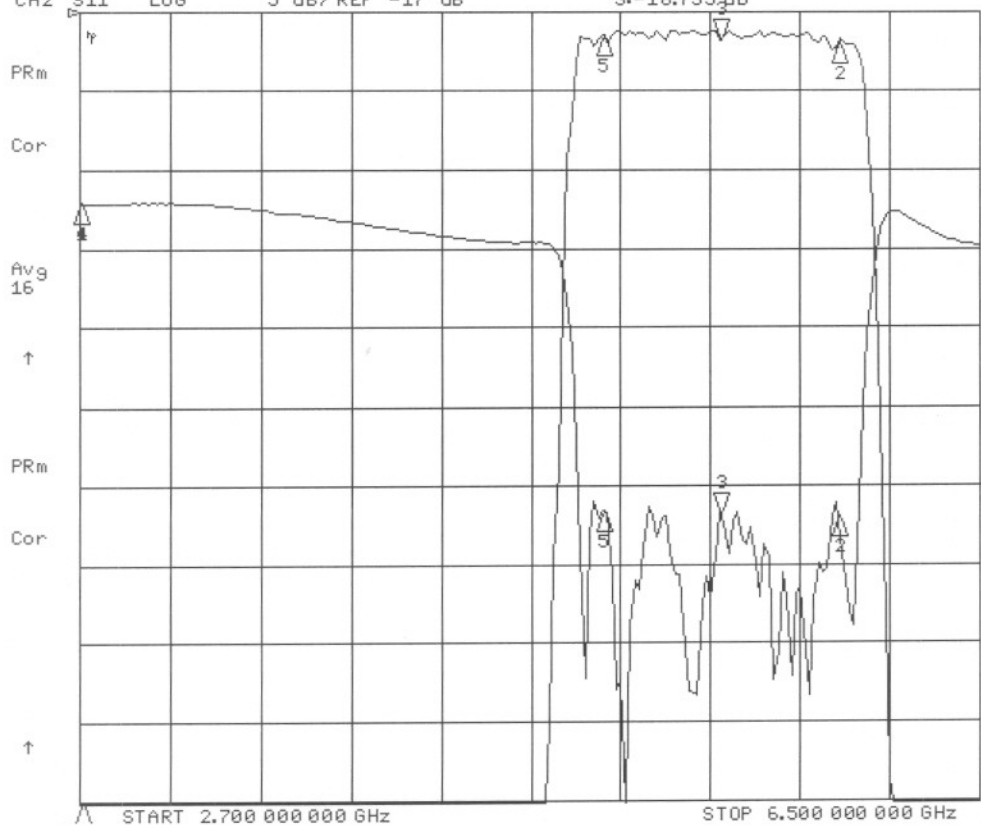
CH1 Markers

- 1:-78.771 dB
2.70000 GHz
- 2:-41.600 dB
5.90000 GHz
- 4:-78.771 dB
2.70000 GHz
- 5:-31.800 dB
4.90000 GHz

CH2 Markers

- 1: 1.79000 dB
2.70000 GHz
- 2:-19.083 dB
5.90000 GHz
- 4: 1.79000 dB
2.70000 GHz
- 5:-18.683 dB
4.90000 GHz

19 Oct 2006 15:57:09
 CH1 S21 LOG 1 dB/REF 0 dB 3:-.35500 dB 5.400 000 000 GHz
 CH2 S11 LOG 5 dB/REF -17 dB 3:-18.735 dB



CH1 Markers

- 1:-78.833 dB
2.70000 GHz
- 2:-40.100 dB
5.90000 GHz
- 4:-78.833 dB
2.70000 GHz
- 5:-30.400 dB
4.90000 GHz

CH2 Markers

- 1: 1.80100 dB
2.70000 GHz
- 2:-19.051 dB
5.90000 GHz
- 4: 1.80100 dB
2.70000 GHz
- 5:-18.685 dB
4.90000 GHz