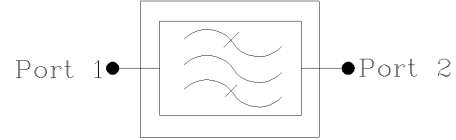
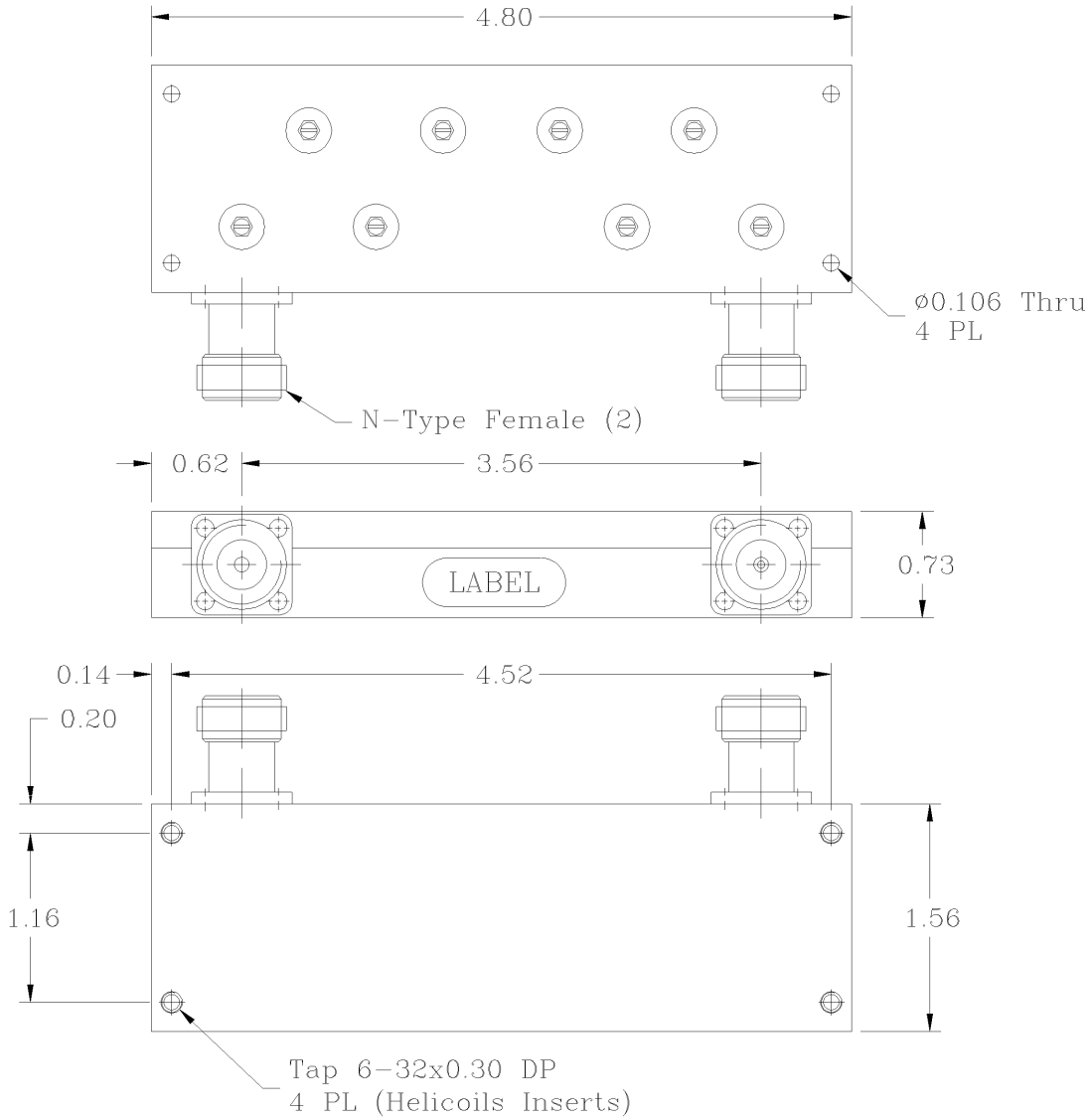


REVISIONS

REV		DATE	APPROVED
A	Altitude Operating conditions added.	11/14	G. David



*Electrical Specifications*

- \*Pass Band Frequency Range [MHz] : 5000 to 5100
- \*Pass Band Insertion Loss [dB] : < 1.2
- \*Pass Band Ripple [dB] : < 0.4 P-T-P
- \*Attenuation @ DC to 4500 MHz [dB] : 70 (Min.)
- \*Attenuation @ 5250 to 10000 MHz [dB] : 40 (Min.)
- \*Pass Band Return Loss [dB] : 18 (Max.)
- \*Input/Output Impedance : 50 ohm
- \*RF Power Capability Average : 10 Watt
- PEAK : 100 Watt
- \*Input/Output @ DC Ground Potential

OPERATING TEMPERATURE RANGE: -30°C TO +65°C

- Product designed to meet Operating conditions:
1. Altitude @ 15,000ft, Non Operating @ 45,000ft
  2. Saw Tooth shock 6g, 11mSec, 3 for each direction x 18 shocks

PROPRIETARY DOCUMENT:  
 THE CONTENTS OF THIS DOCUMENT WITH ALL INFORMATION AND PROCESSES ARE THE SOLE PROPERTY OF G-Way Microwave. THIS DOCUMENT MAY NOT BE DUPLICATED OR DISCLOSED TO ANY PARTY EXCEPT BY EXPRESSLY WRITTEN PERMISSION. THE ONLY AUTHORIZED USE OF THIS DOCUMENT BY A VENDOR IS FOR QUOTE PURPOSES AND SAID VENDOR AGREES NOT TO DISCLOSE ITS CONTENTS TO ANY THIRD PARTY. THIS DOCUMENT IS COPYRIGHTED 1998.

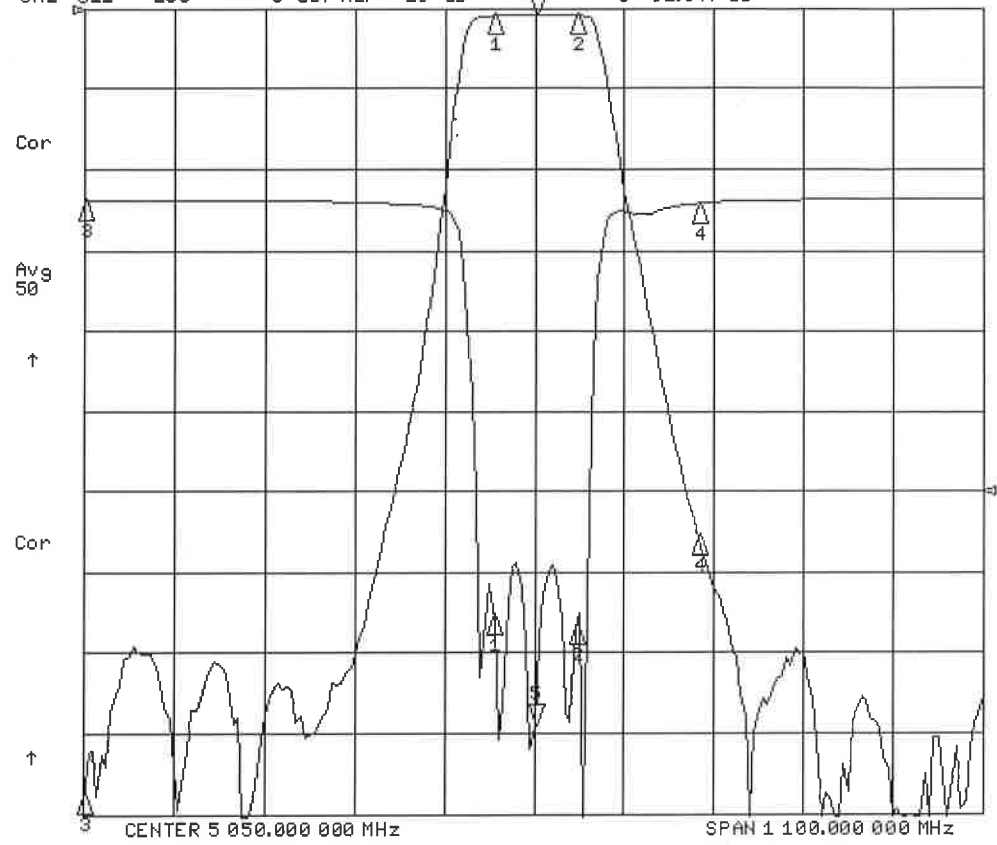
- NOTES:
1. BREAK ALL CORNERS & EDGES.005/.010.
  2. FINAL FINISH:  
EPOXY GRAY - OPTIONAL

DIMENSIONS ARE IN INCHES: TOLERANCES ARE ANGLES DECIMALS		CONTRACT NO:		<b>G-Way Microwave</b>					
± 1"	.X ± .05 .XX ± .01 .XXX ± .003	APPROVALS	DATE					TITLE Band Pass Filter 5 GHz	
TREATMENT	FINISH 63/	DRAWN Sivak	10/14	CB5050/100SK-D3		SIZE	CAGE CODE	DWG NO:	REV.
MATERIAL AL6061-T6		ENG.	DESIGN ACTIVITY	A	3K1H4	CB5050/100SK-D3-1			A
				SCALE None				SHEET 1 OF 1	

CB5050/100.5K-D3

8 Oct 2014 16:26:42

CH1 S21 LOG 10 dB/REF 0 dB 5: -71.220 dB 5 050.000 000 MHz  
 CH2 S11 LOG 5 dB/REF -18 dB 5: -32.547 dB



CH1 Markers

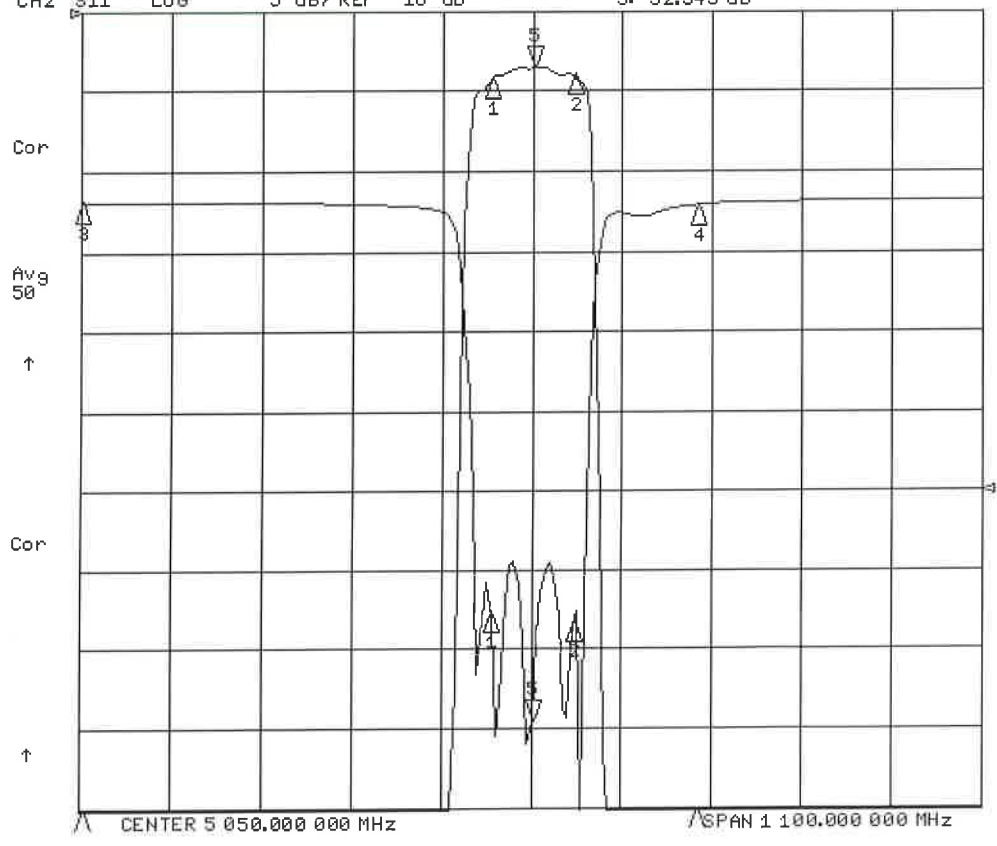
- 1: -83.830 dB  
5.00000 GHz
- 2: -80.800 dB  
5.10000 GHz
- 3: -97.386 dB  
4.50000 GHz
- 4: -65.483 dB  
5.25000 GHz

CH2 Markers

- 1: -25.698 dB  
5.00000 GHz
- 2: -26.274 dB  
5.10000 GHz
- 3: -0.9980 dB  
4.50000 GHz
- 4: -0.9580 dB  
5.25000 GHz

8 Oct 2014 16:26:47

CH1 S21 LOG 1 dB/REF 0 dB 5: -71.110 dB 5 050.000 000 MHz  
 CH2 S11 LOG 5 dB/REF -18 dB 5: -32.543 dB



CH1 Markers

- 1: -83.930 dB  
5.00000 GHz
- 2: -80.870 dB  
5.10000 GHz
- 3: -95.084 dB  
4.50000 GHz
- 4: -65.471 dB  
5.25000 GHz

CH2 Markers

- 1: -25.711 dB  
5.00000 GHz
- 2: -26.269 dB  
5.10000 GHz
- 3: -0.8890 dB  
4.50000 GHz
- 4: -0.9470 dB  
5.25000 GHz