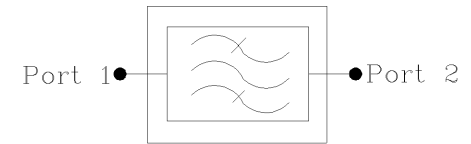
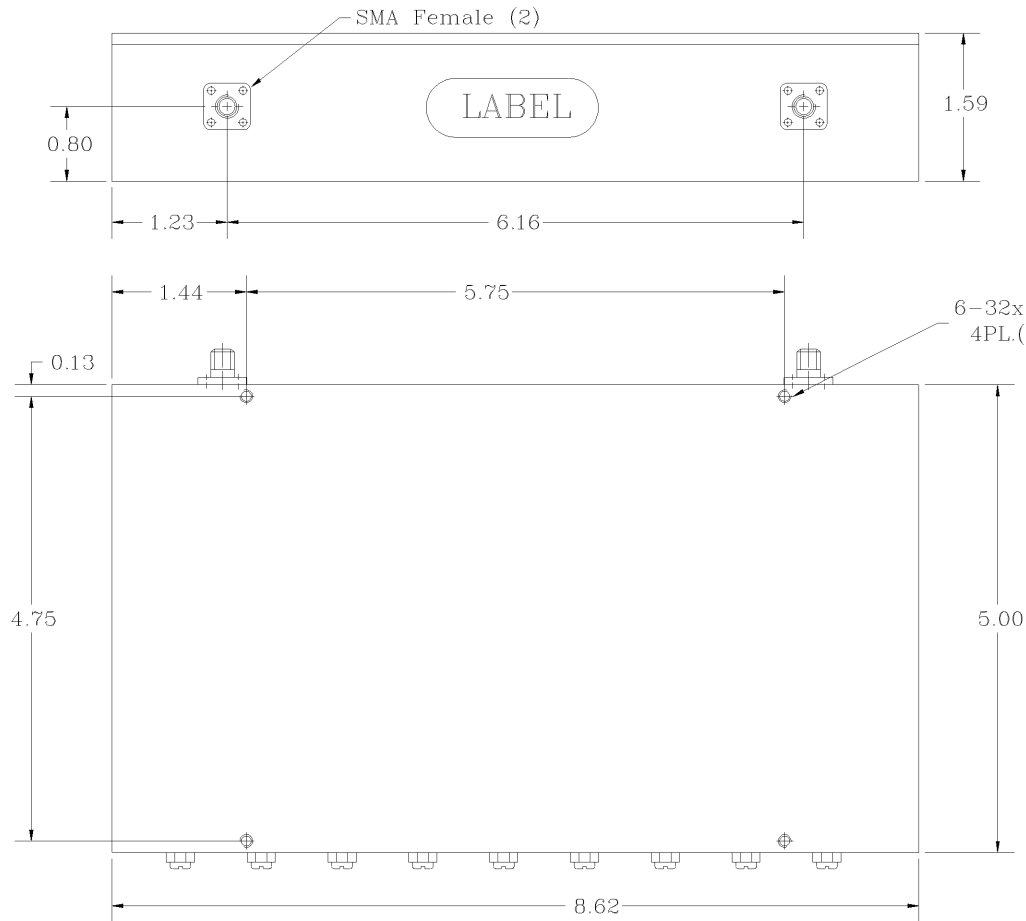


| REVISIONS |  |      |          |
|-----------|--|------|----------|
| REV       |  | DATE | APPROVED |
|           |  |      |          |
|           |  |      |          |
|           |  |      |          |



### Electrical Specifications

- \*Pass Band Frequency Range [MHz] : 440 to 470
- \*Pass Band Insertion Loss Including Ripple [dB] : <0.7
- \*Pass Band Ripple [dB] : <0.4 P-T-P
- \*Attenuation DC to 420 MHz [dB] : 75 (Min.), 80 (Typ.)
- @ 490 MHz [dB] : 60 (Min.), 65 (Typ.)
- @ 500 to 1200 MHz [dB] : 80 (Min.), 85 (Typ.)
- \*Pass Band Return Loss [dB] : -18 (Max.), <1.28:1
- \*Input/Output Impedance : 50 ohm
- \*RF Power Capability CW : 30 Watts
- \*Input/Output @ DC Ground Potential

OPERATING TEMPERATURE RANGE: -10°C TO +65°C

PROPRIETARY DOCUMENT:  
 THE CONTENTS OF THIS DOCUMENT WITH ALL INFORMATION AND PROCESSES ARE THE SOLE PROPERTY OF G-Way Microwave. THIS DOCUMENT MAY NOT BE DUPLICATED OR DISCLOSED TO ANY PARTY EXCEPT BY EXPRESSLY WRITTEN PERMISSION. THE ONLY AUTHORIZED USE OF THIS DOCUMENT BY A VENDOR IS FOR QUOTE PURPOSES AND SAID VENDOR AGREES NOT TO DISCLOSE ITS CONTENTS TO ANY THIRD PARTY. THIS DOCUMENT IS COPYRIGHTED 1998.

NOTES:

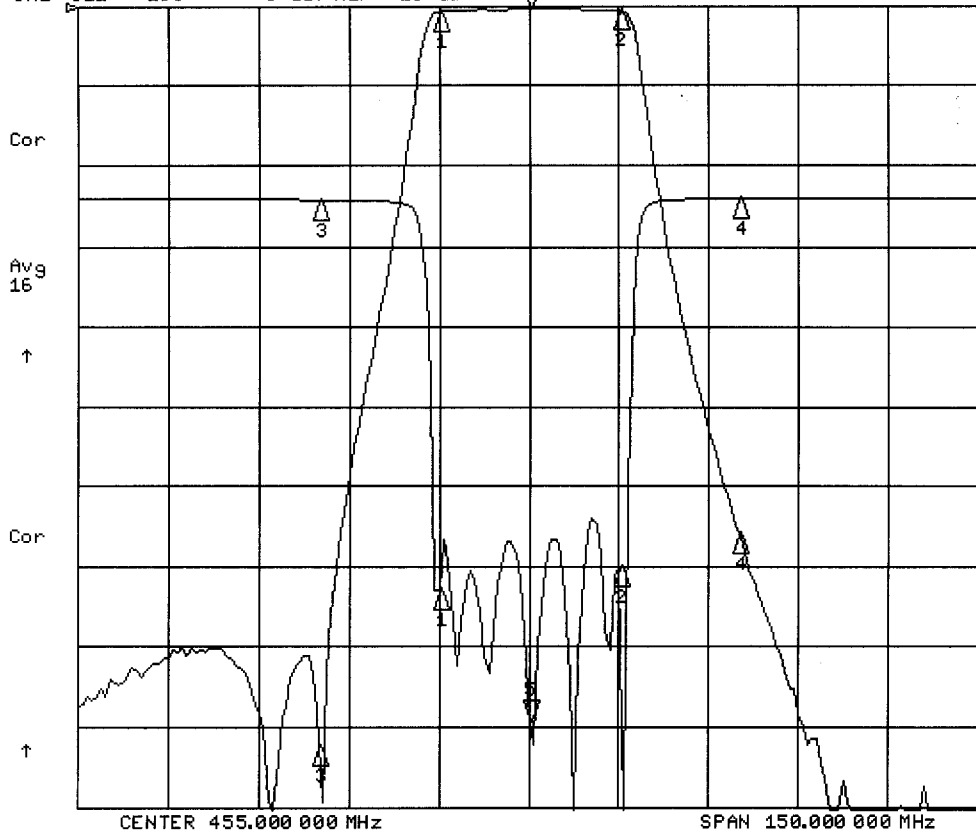
1. BREAK ALL CORNERS & EDGES.005/.010.
2. FINAL FINISH:  
EPOXY GRAY - OPTIONAL

|   |                                      |              |       |                                |       |                 |           |              |      |
|---|--------------------------------------|--------------|-------|--------------------------------|-------|-----------------|-----------|--------------|------|
| DIMENSIONS ARE IN INCHES:<br>TOLERANCES ARE |                                      | CONTRACT NO: |       | <b>G-Way Microwave</b>         |       |                 |           |              |      |
| ANGLES                                      | DECIMALS                             | APPROVALS    | DATE  |                                |       |                 |           | TITLE        |      |
| ± 1°  | .X ± .05<br>.XX ± .01<br>.XXX ± .003 | DRAWN Sivak  | 12/06 | Band Pass UHF<br>CB455/30SK-F2 |       | SIZE            | CAGE CODE | DWG NO:      | REV. |
| TREATMENT                                   | CHECKED                              |              |       | A                              | 3K1H4 | CB455/30SK-F2-1 |           | 0            |      |
| FINISH 63/                                  | ENG. DESIGN ACTIVITY                 |              |       | SCALE None                     |       |                 |           | SHEET 1 OF 1 |      |
| MATERIAL                                    |                                      |              |       |                                |       |                 |           |              |      |

CB455/3DSK-F2

17 Feb 2010 12:08:50

CH1 S21 LOG 10 dB/REF 0 dB 5 5:-.35810 dB 455.000 000 MHz  
 CH2 S11 LOG 5 dB/REF -18 dB 5 5:-32.686 dB



CH1 Markers

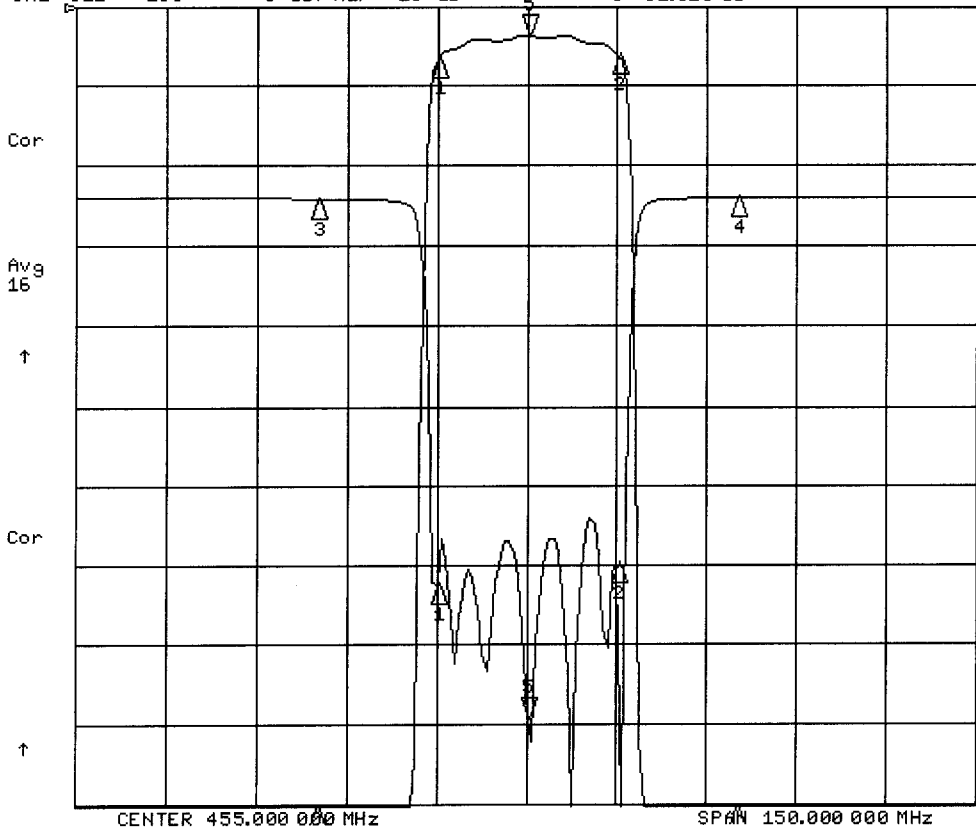
- 1:-.65510 dB  
440.000 MHz
- 2:-.60530 dB  
470.000 MHz
- 3:-92.386 dB  
420.000 MHz
- 4:-65.940 dB  
490.000 MHz

CH2 Markers

- 1:-24.433 dB  
440.000 MHz
- 2:-23.029 dB  
470.000 MHz
- 3:-.12010 dB  
420.000 MHz
- 4:-.06440 dB  
490.000 MHz

17 Feb 2010 12:08:55

CH1 S21 LOG 1 dB/REF 0 dB 5 5:-.35830 dB 455.000 000 MHz  
 CH2 S11 LOG 5 dB/REF -18 dB 5 5:-32.620 dB



CH1 Markers

- 1:-.65480 dB  
440.000 MHz
- 2:-.60600 dB  
470.000 MHz
- 3:-90.561 dB  
420.000 MHz
- 4:-66.005 dB  
490.000 MHz

CH2 Markers

- 1:-24.266 dB  
440.000 MHz
- 2:-22.945 dB  
470.000 MHz
- 3:-.11810 dB  
420.000 MHz
- 4:-.06220 dB  
490.000 MHz