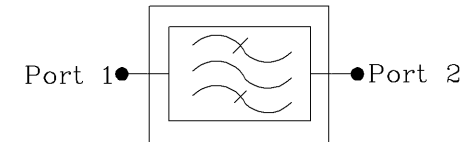
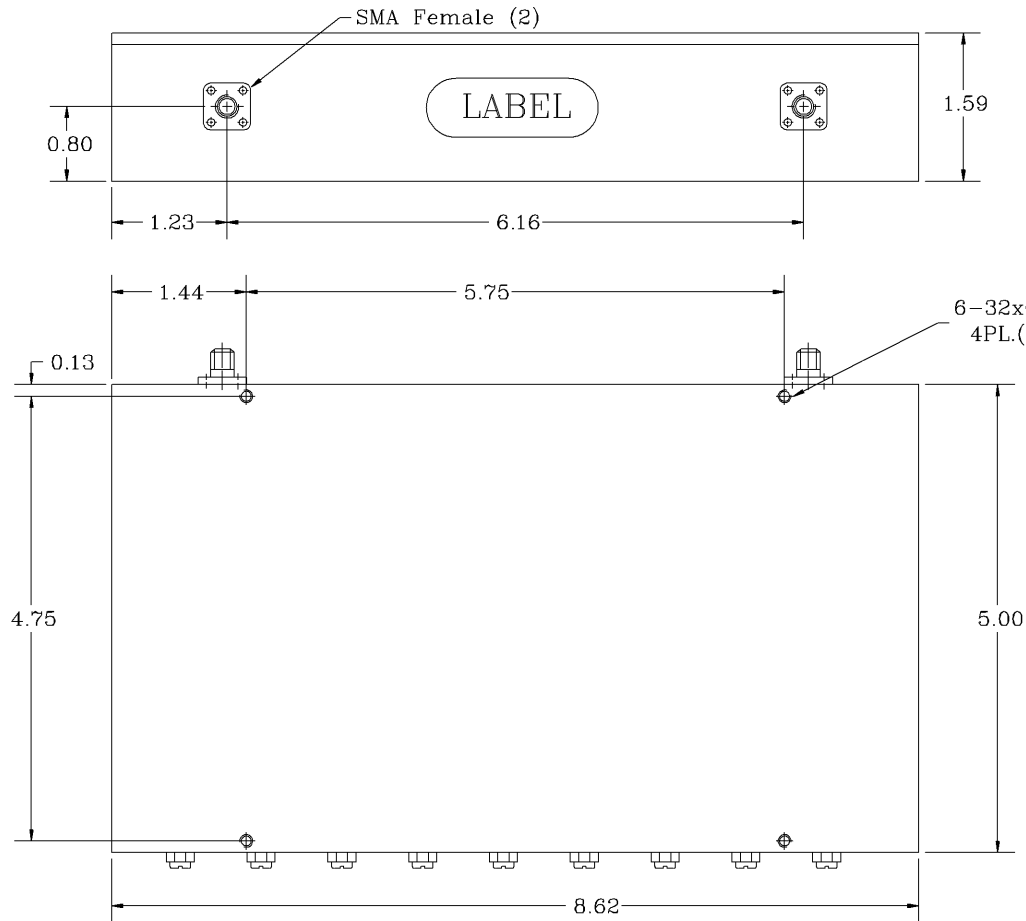


REVISIONS			
REV		DATE	APPROVED



### Electrical Specifications

- \*Pass Band Frequency Range [MHz] : 440 to 470
- \*Pass Band Insertion Loss Including Ripple [dB] : <0.7
- \*Pass Band Ripple [dB] : <0.4 P-T-P
- \*Attenuation DC to 420 MHz [dB] : 75 (Min.), 80 (Typ.)
- @ 490 MHz [dB] : 60 (Min.), 65 (Typ.)
- @ 500 to 1200 MHz [dB] : 80 (Min.), 85 (Typ.)
- \*Pass Band Return Loss [dB] : -18 (Max.), <1.28:1
- \*Input/Output Impedance : 50 ohm
- \*RF Power Capability CW : 30 Watts
- \*Input/Output @ DC Ground Potential

OPERATING TEMPERATURE RANGE: -10°C TO +65°C

PROPRIETARY DOCUMENT:  
 THE CONTENTS OF THIS DOCUMENT WITH ALL INFORMATION AND PROCESSES ARE THE SOLE PROPERTY OF G-Way Microwave. THIS DOCUMENT MAY NOT BE DUPLICATED OR DISCLOSED TO ANY PARTY EXCEPT BY EXPRESSLY WRITTEN PERMISSION. THE ONLY AUTHORIZED USE OF THIS DOCUMENT BY A VENDOR IS FOR QUOTE PURPOSES AND SAID VENDOR AGREES NOT TO DISCLOSE ITS CONTENTS TO ANY THIRD PARTY. THIS DOCUMENT IS COPYRIGHTED 1998.

NOTES:

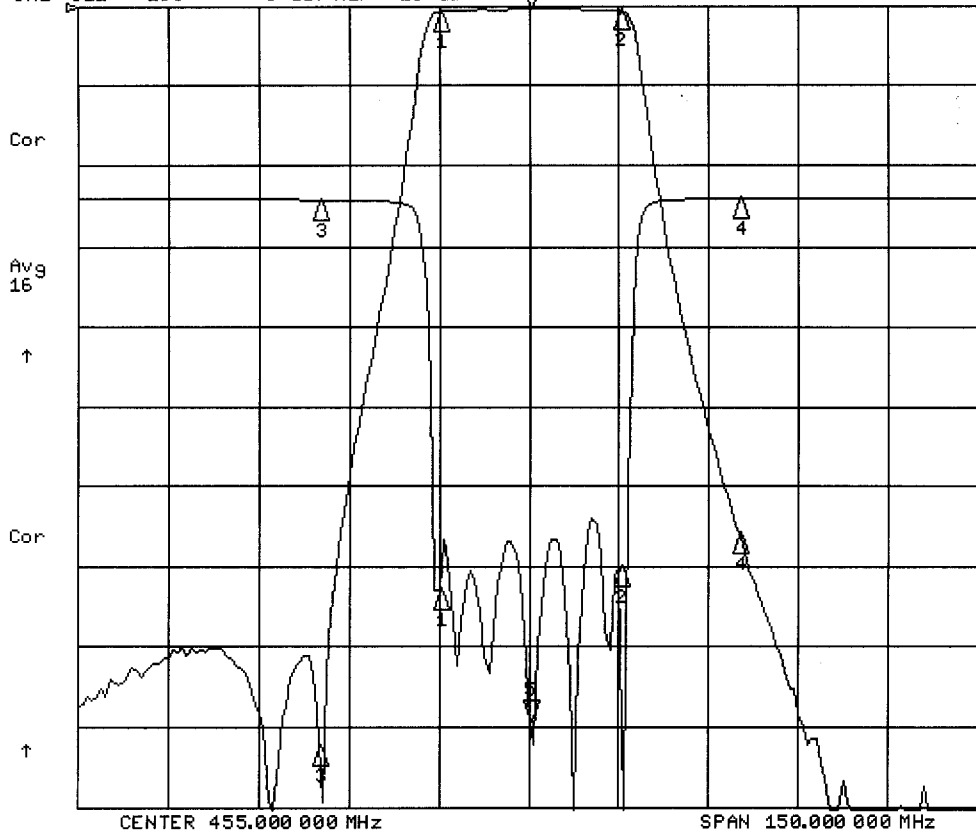
1. BREAK ALL CORNERS & EDGES.005/.010.
2. FINAL FINISH:  
EPOXY GRAY - OPTIONAL

DIMENSIONS ARE IN INCHES TOLERANCES ARE		CONTRACT NO:		<b>G-Way Microwave</b>			
ANGLES	DECIMALS	APPROVALS	DATE				
± 1°	X ± .05 XX ± .01 XXX ± .003	DRAWN Sivak	12/06	Band Pass UHF CB445/30SK-F2		REV.	
TREATMENT	CHECKED	ENG. DESIGN ACTIVITY		SIZE	CAGE CODE	DWG NO:	0
FINISH 63/		MATERIAL		A	3K1H4	CB445/30SK-F2-1	
				SCALE	None		SHEET 1 OF 1

CB455/3DSK-F2

17 Feb 2010 12:08:50

CH1 S21 LOG 10 dB/REF 0 dB 5 5:-.35810 dB 455.000 000 MHz  
 CH2 S11 LOG 5 dB/REF -18 dB 5 5:-32.686 dB



CH1 Markers

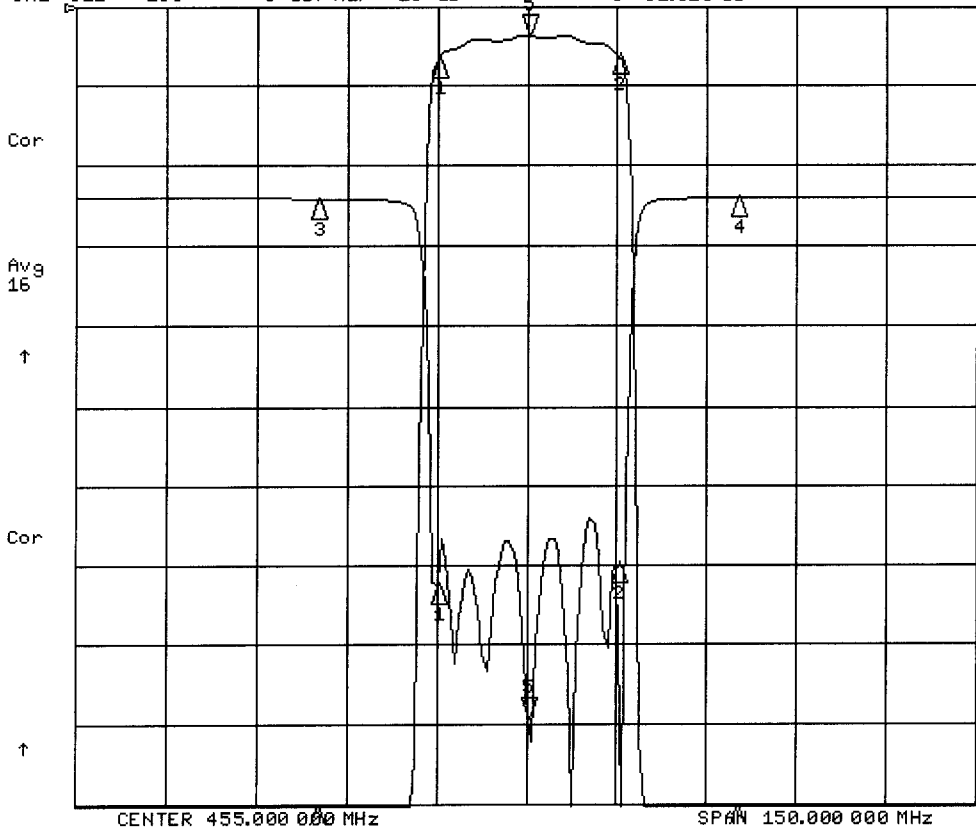
- 1:-.65510 dB  
440.000 MHz
- 2:-.60530 dB  
470.000 MHz
- 3:-92.386 dB  
420.000 MHz
- 4:-65.940 dB  
490.000 MHz

CH2 Markers

- 1:-24.433 dB  
440.000 MHz
- 2:-23.029 dB  
470.000 MHz
- 3:-.12010 dB  
420.000 MHz
- 4:-.06440 dB  
490.000 MHz

17 Feb 2010 12:08:55

CH1 S21 LOG 1 dB/REF 0 dB 5 5:-.35830 dB 455.000 000 MHz  
 CH2 S11 LOG 5 dB/REF -18 dB 5 5:-32.620 dB



CH1 Markers

- 1:-.65480 dB  
440.000 MHz
- 2:-.60600 dB  
470.000 MHz
- 3:-90.561 dB  
420.000 MHz
- 4:-66.005 dB  
490.000 MHz

CH2 Markers

- 1:-24.266 dB  
440.000 MHz
- 2:-22.945 dB  
470.000 MHz
- 3:-.11810 dB  
420.000 MHz
- 4:-.06220 dB  
490.000 MHz