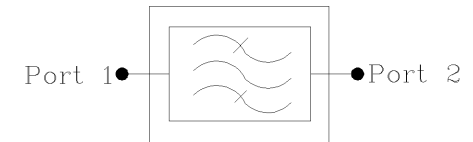
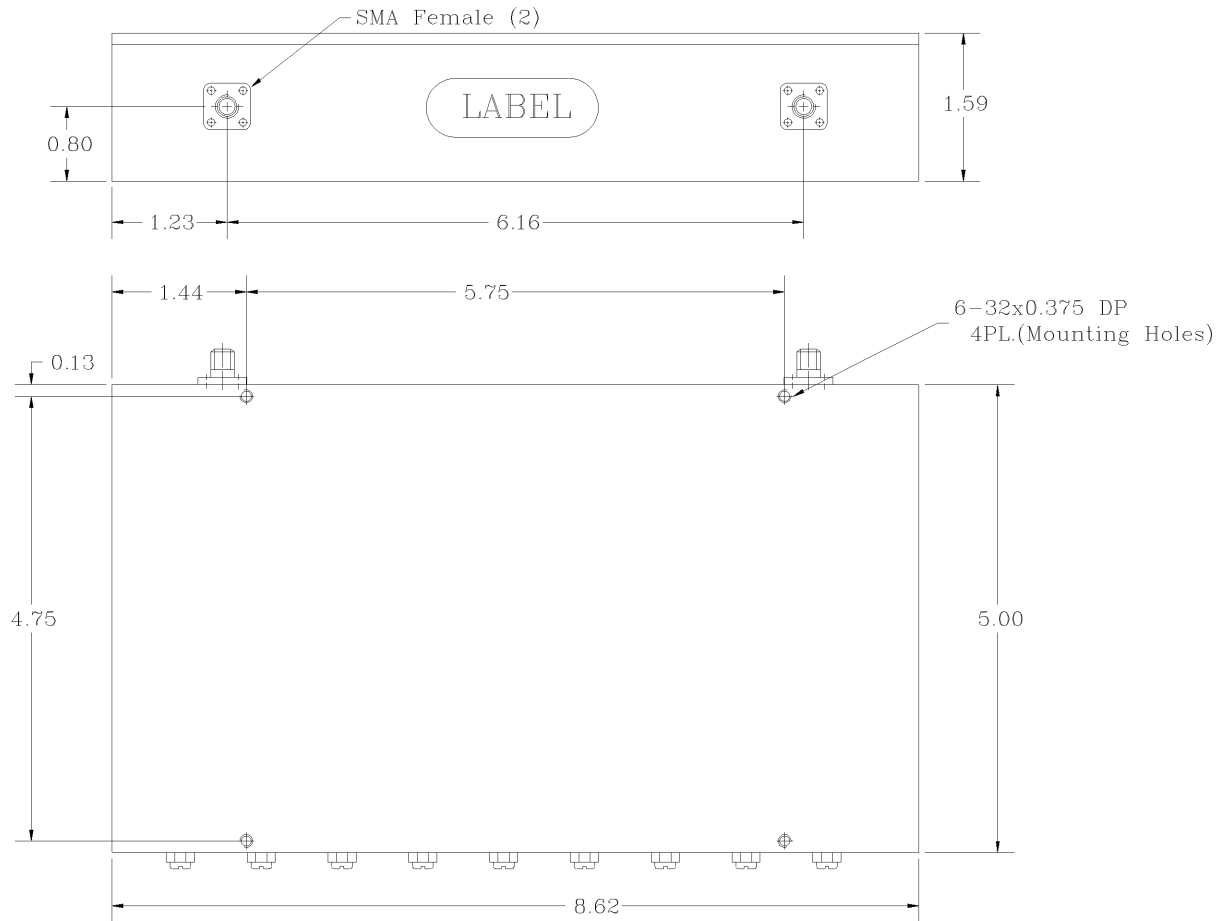


REVISIONS			
REV		DATE	APPROVED



Electrical Specifications

- *Pass Band Frequency Range [MHz] : 420 to 430
- *Pass Band Insertion Loss Including Ripple [dB] : <1.0
- *Pass Band Ripple [dB] : <0.4 P-T-P
- *Attenuation DC to 100 MHz [dB] : 70 (Min.)
- 400 to 410 MHz [dB] : 70 (Min.)
- 440 to 1260 MHz [dB] : 70 (Min.)
- *Pass Band Return Loss [dB] : -18 (Max.), <1.28:1
- *Input/Output Impedance : 50 ohm
- *RF Power Capability CW : 5 Watts
- *Input/Output @ DC Ground Potential

OPERATING TEMPERATURE RANGE: -10°C TO +65°C

PROPRIETARY DOCUMENT:
 THE CONTENTS OF THIS DOCUMENT WITH ALL INFORMATION AND PROCESSES ARE THE SOLE PROPERTY OF G-Way Microwave. THIS DOCUMENT MAY NOT BE DUPLICATED OR DISCLOSED TO ANY PARTY EXCEPT BY EXPRESSLY WRITTEN PERMISSION. THE ONLY AUTHORIZED USE OF THIS DOCUMENT BY A VENDOR IS FOR QUOTE PURPOSES AND SAID VENDOR AGREES NOT TO DISCLOSE ITS CONTENTS TO ANY THIRD PARTY. THIS DOCUMENT IS COPYRIGHTED 1998.

NOTES:

1. BREAK ALL CORNERS & EDGES.005/.010.
2. FINAL FINISH:
EPOXY GRAY - OPTIONAL

DIMENSIONS ARE IN INCHES: TOLERANCES ARE		CONTRACT NO:		G-Way Microwave			
ANGLES	DECIMALS	APPROVALS	DATE				
± 1°	.X ± .05 .XX ± .01 .XXX ± .003			Band Pass UHF			
TREATMENT		DRAWN Sivak	12/06	CB425/10SK-F2			
FINISH	63/	CHECKED		SIZE	CAGE CODE	DWG NO:	REV.
MATERIAL		ENG.		A	3K1H4	CB425/10SK-F2-1	0
		DESIGN ACTIVITY		SCALE	None		SHEET 1 OF 1

PLATED

CB 425/10SK-F₂

