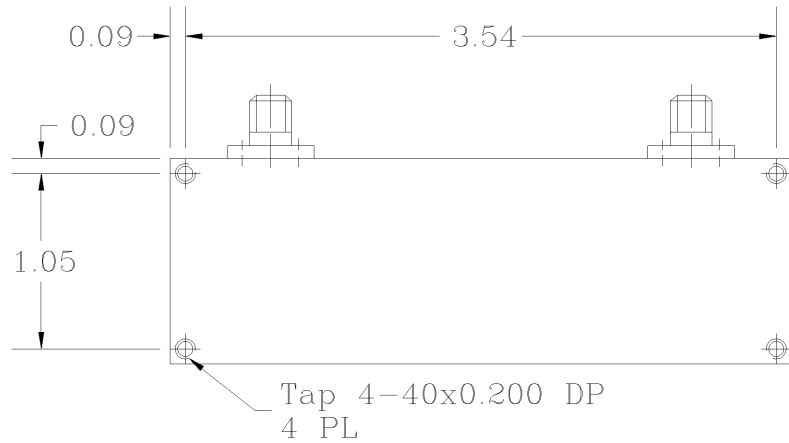
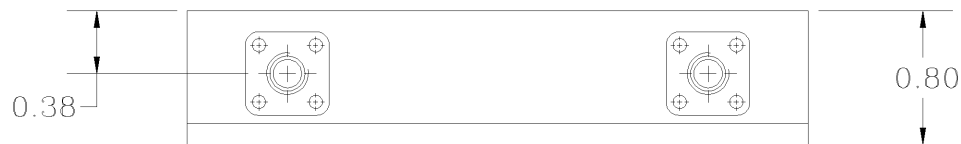
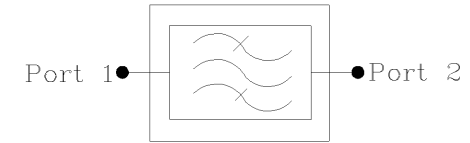
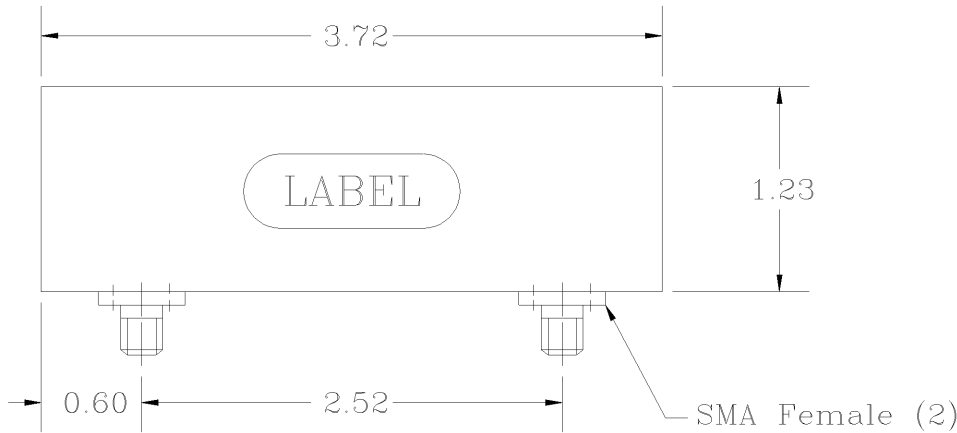


REVISIONS			
REV		DATE	APPROVED



Electrical Specifications

- *Pass Band Range [MHz] : 2800 to 3200
- *Pass Band Insertion Loss [dB] : 1.5, 1.0 (Typ.)
- *Pass Band Ripple [dB] : < 0.5 P-T-P
- *Attenuation @ DC to 2700 MHz [dB] : 30 (Min.), 35 (Typ.)
- @ 3300 to 6000 MHz [dB] : 50 (Min.), 55 (Typ.)
- *Pass Band Return Loss [dB] : -18 (Max.)
- *Input/Output Impedance : 50 ohm
- *RF Power Capability CW : 4 Watts
- *Input/Output @ DC Ground Potential

OPERATING TEMPERATURE RANGE: -30°C TO +75°C

PROPRIETARY DOCUMENT:
THE CONTENTS OF THIS DOCUMENT WITH ALL INFORMATION AND PROCESSES ARE THE SOLE PROPERTY OF G-Way Microwave. THIS DOCUMENT MAY NOT BE DUPLICATED OR DISCLOSED TO ANY PARTY EXCEPT BY EXPRESSLY WRITTEN PERMISSION. THE ONLY AUTHORIZED USE OF THIS DOCUMENT BY A VENDOR IS FOR QUOTE PURPOSES AND SAID VENDOR AGREES NOT TO DISCLOSE ITS CONTENTS TO ANY THIRD PARTY. THIS DOCUMENT IS COPYRIGHTED 1998.

NOTES:

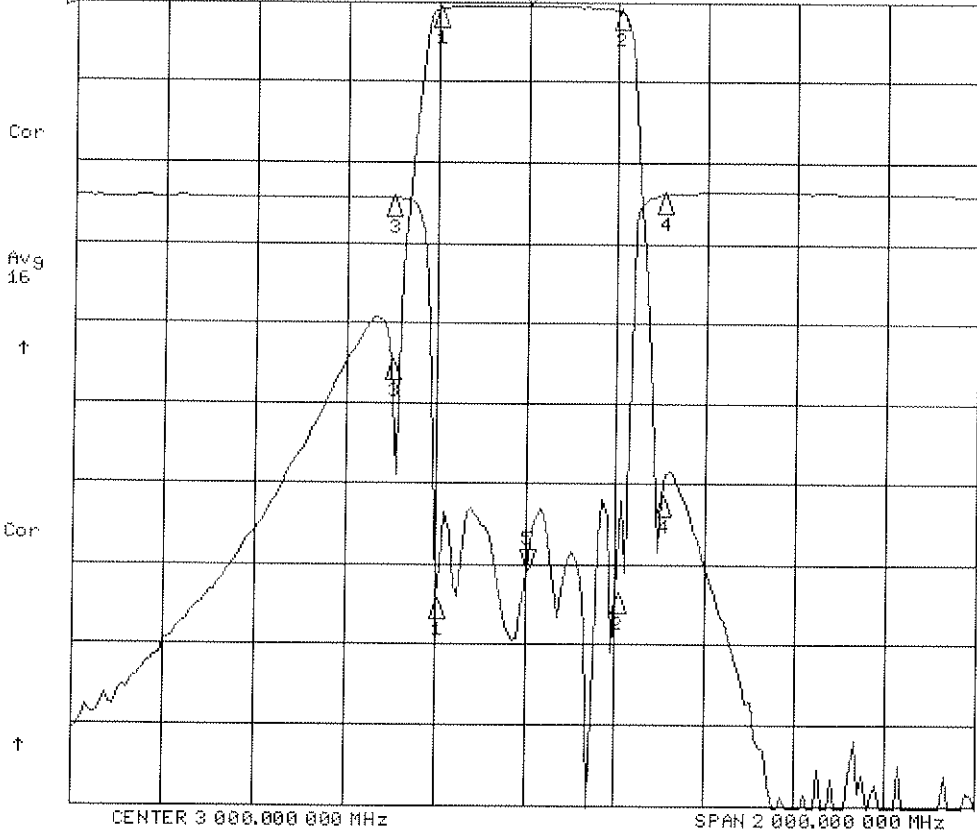
1. BREAK ALL CORNERS & EDGES.005/.010.
2. FINAL FINISH:
EPOXY GRAY - OPTIONAL

DIMENSIONS ARE IN INCHES TOLERANCES ARE		CONTRACT NO:		G-Way Microwave	
ANGLES	DECIMALS	APPROVALS	DATE		
± 1°	.X ± .05 .XX ± .01 .XXX ± .003	DRAWN Segal	03/13	CB3000/400SK-A1	
TREATMENT		CHECKED		SIZE	CAGE CODE
FINISH	63/	ENG.		A	3K1H4
MATERIAL AL6061-T6		DESIGN ACTIVITY		DWG NO:	CB3000/400SK-A1-1
				REV.	0
				SCALE None	SHEET 1 OF 1

CB 3000/400 SK-A1

5 Mar 2013 16:33:31

CH1 S21 LOG 10 dB/REF 0 dB 5: -49.430 dB 3 000.000 000 MHz
 CH2 S11 LOG 5 dB/REF -18 dB 5: -23.363 dB



CH1 Markers

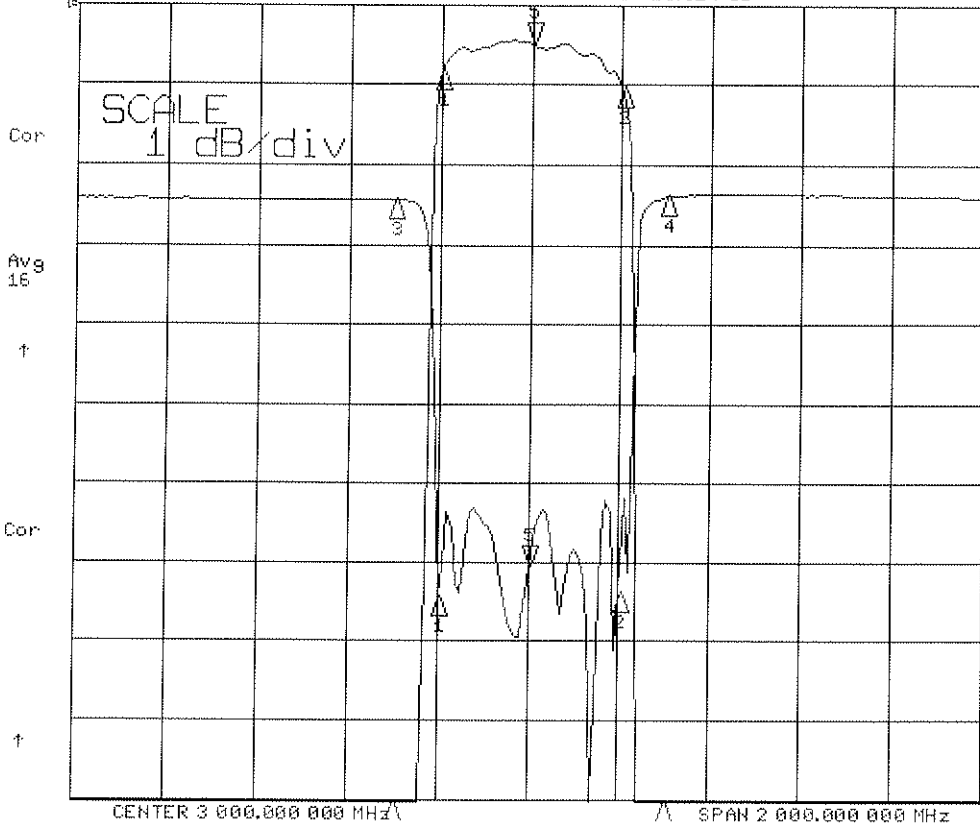
- 1: -81.610 dB
2.80000 GHz
- 2: -1.0522 dB
3.20000 GHz
- 3: -44.695 dB
2.70000 GHz
- 4: -61.621 dB
3.30000 GHz

CH2 Markers

- 1: -25.179 dB
2.80000 GHz
- 2: -24.811 dB
3.20000 GHz
- 3: -15.490 dB
2.70000 GHz
- 4: .05940 dB
3.30000 GHz

5 Mar 2013 16:33:34

CH1 S21 LOG 1 dB/REF 0 dB 5: -49.430 dB 3 000.000 000 MHz
 CH2 S11 LOG 5 dB/REF -18 dB 5: -23.324 dB



CH1 Markers

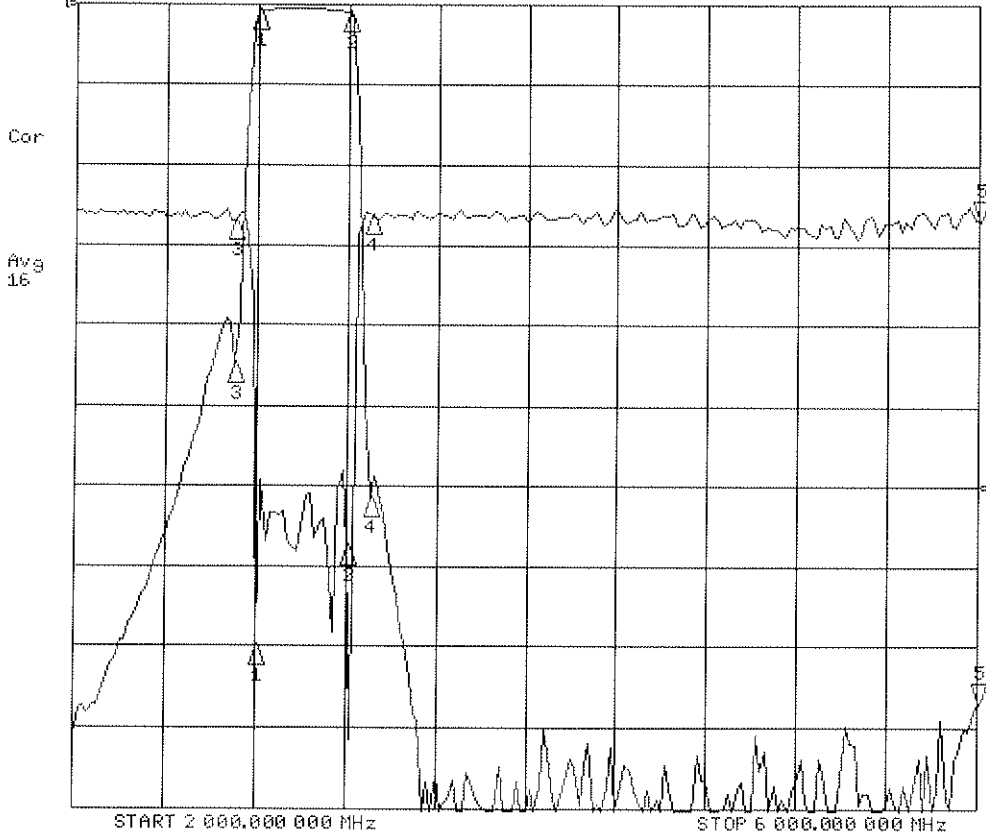
- 1: -81.250 dB
2.80000 GHz
- 2: -1.0402 dB
3.20000 GHz
- 3: -44.702 dB
2.70000 GHz
- 4: -61.660 dB
3.30000 GHz

CH2 Markers

- 1: -25.170 dB
2.80000 GHz
- 2: -24.989 dB
3.20000 GHz
- 3: -15.850 dB
2.70000 GHz
- 4: .04890 dB
3.30000 GHz

5 Mar 2013 16:37:26

CH1 S21 LOG 10 dB/REF 0 dB 5:-87.114 dB 6 000.000 000 MHz
CH2 S11 LOG 5 dB/REF -18 dB 5:-1.4752 dB



CH1 Markers

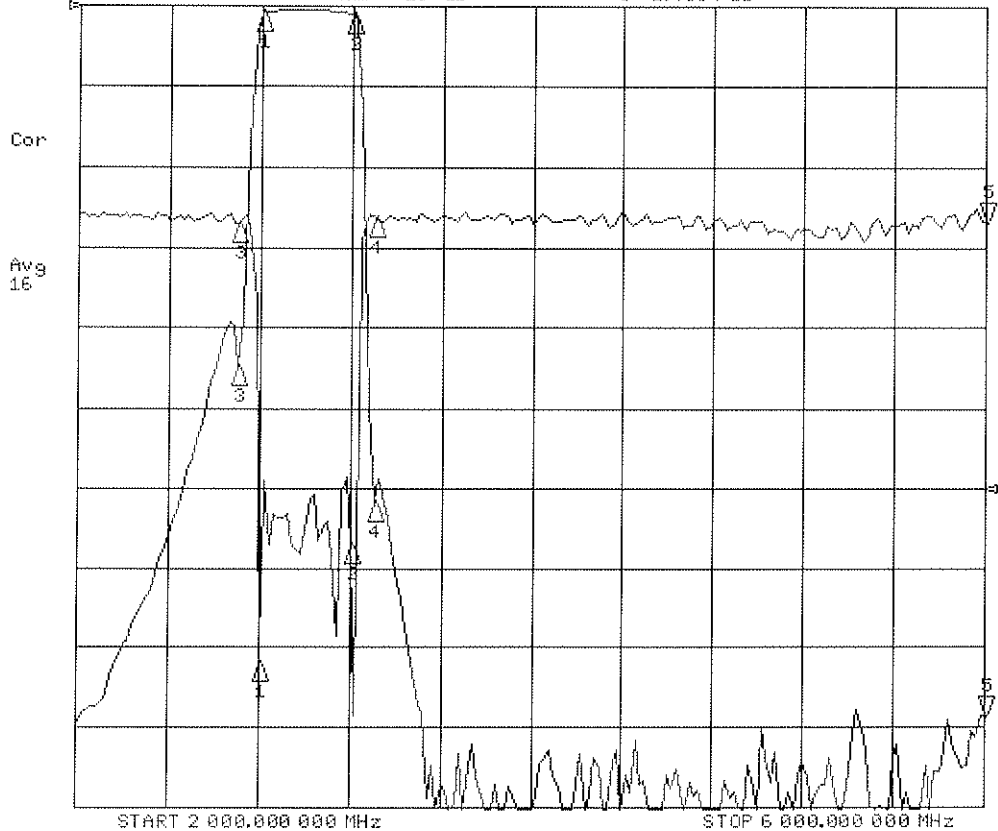
1:-85.560 dB
2.80000 GHz
2:-1.0891 dB
3.20000 GHz
3:-44.767 dB
2.70000 GHz

CH2 Markers

1:-27.949 dB
2.80000 GHz
2:-21.658 dB
3.20000 GHz
3:-1.5424 dB
2.70000 GHz
4:-1.1212 dB
3.30000 GHz

5 Mar 2013 16:37:31

CH1 S21 LOG 10 dB/REF 0 dB 5:-88.781 dB 6 000.000 000 MHz
CH2 S11 LOG 5 dB/REF -18 dB 5:-1.4634 dB



CH1 Markers

1:-87.350 dB
2.80000 GHz
2:-1.0836 dB
3.20000 GHz
3:-44.758 dB
2.70000 GHz

CH2 Markers

1:-28.866 dB
2.80000 GHz
2:-21.396 dB
3.20000 GHz
3:-1.5170 dB
2.70000 GHz
4:-1.1384 dB
3.30000 GHz