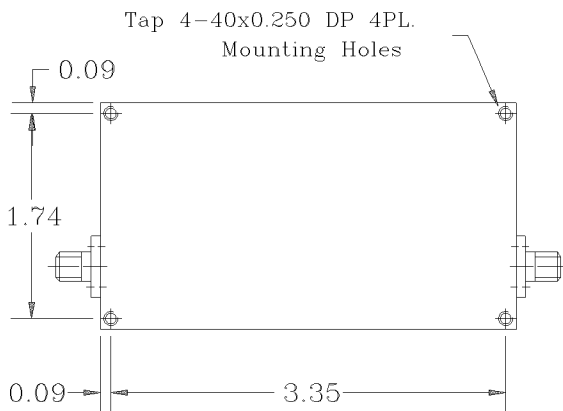
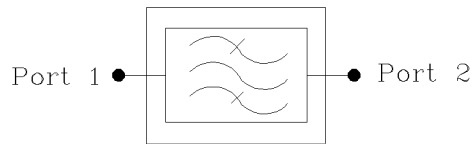
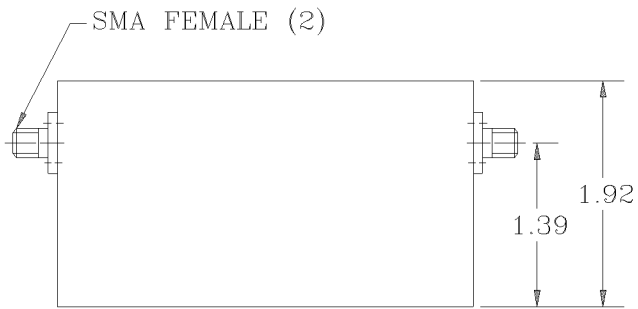


REVISIONS

REV		DATE	APPROVED
A	Specs modified to reflect actual performance.	05/11	G. David



Electrical Specifications

- *Pass Band Frequency Range [MHz] : 2500 to 2700
- *Pass Band Insertion Loss [dB] : < 0.5, 0.4 (Typ.)
- *Pass Band Ripple [dB] : < 0.4 P-T-P
- *Attenuation DC to 2450 MHz [dB] : 30 (Min.), 35 (Typ.)
- @ 2750 to 6000 MHz [dB] : 30 (Min.), 35 (Typ.)
- *Pass Band Return Loss [dB] : -18 (Max.), <1.32:1
- *Input/Output Impedance : 50 ohm
- *RF Power Capability CW : 20 Watts
- *Input/Output @ DC Ground Potential

OPERATING TEMPERATURE RANGE: -10°C TO +80°C

PROPRIETARY DOCUMENT:
 THE CONTENTS OF THIS DOCUMENT WITH ALL INFORMATION AND PROCESSES ARE THE SOLE PROPERTY OF G-Way Microwave. THIS DOCUMENT MAY NOT BE DUPLICATED OR DISCLOSED TO ANY PARTY EXCEPT BY EXPRESSLY WRITTEN PERMISSION. THE ONLY AUTHORIZED USE OF THIS DOCUMENT BY A VENDOR IS FOR QUOTE PURPOSES AND SAID VENDOR AGREES NOT TO DISCLOSE ITS CONTENTS TO ANY THIRD PARTY. THIS DOCUMENT IS COPYRIGHTED 1998.

NOTES:

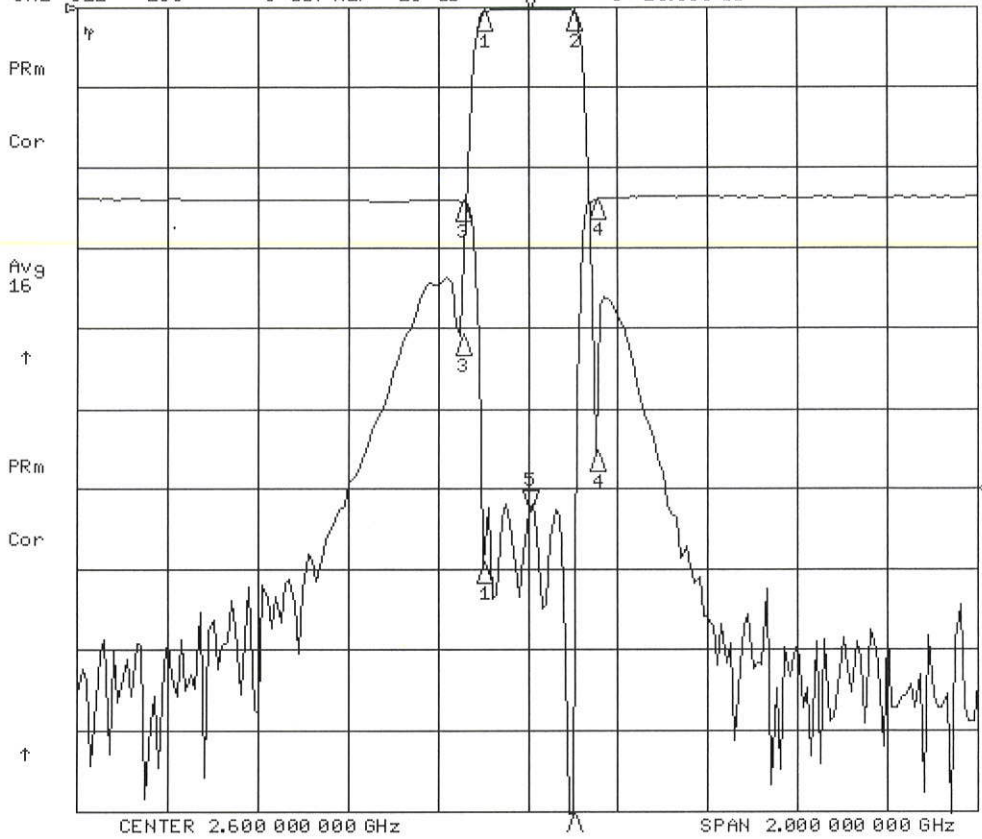
1. BREAK ALL CORNERS & EDGES.005/.010.
2. FINAL FINISH:
EPOXY GRAY - OPTIONAL

DIMENSIONS ARE IN INCHES: TOLERANCES ARE ANGLES DECIMALS ± 1" .X ± .05 XX ± .01 XXX ± .003		CONTRACT NO:		G-Way Microwave	
TREATMENT		APPROVALS	DATE		
FINISH 63/		DRAWN Sivak	05/11	SIZE A	CAGE CODE 3K1H4
MATERIAL		CHECKED		DWG NO: CB2600/200SK-B-1	REV. A
		DESIGN ACTIVITY		SCALE None	SHEET 1 OF 1

CB2600/2005K-B

6 May 2011 08:58:28

CH1 S21 LOG 10 dB/REF 0 dB 5 5:-22.400 dB 2.600 000 000 GHz
 CH2 S11 LOG 5 dB/REF -18 dB 5 5:-19.393 dB



CH1 Markers

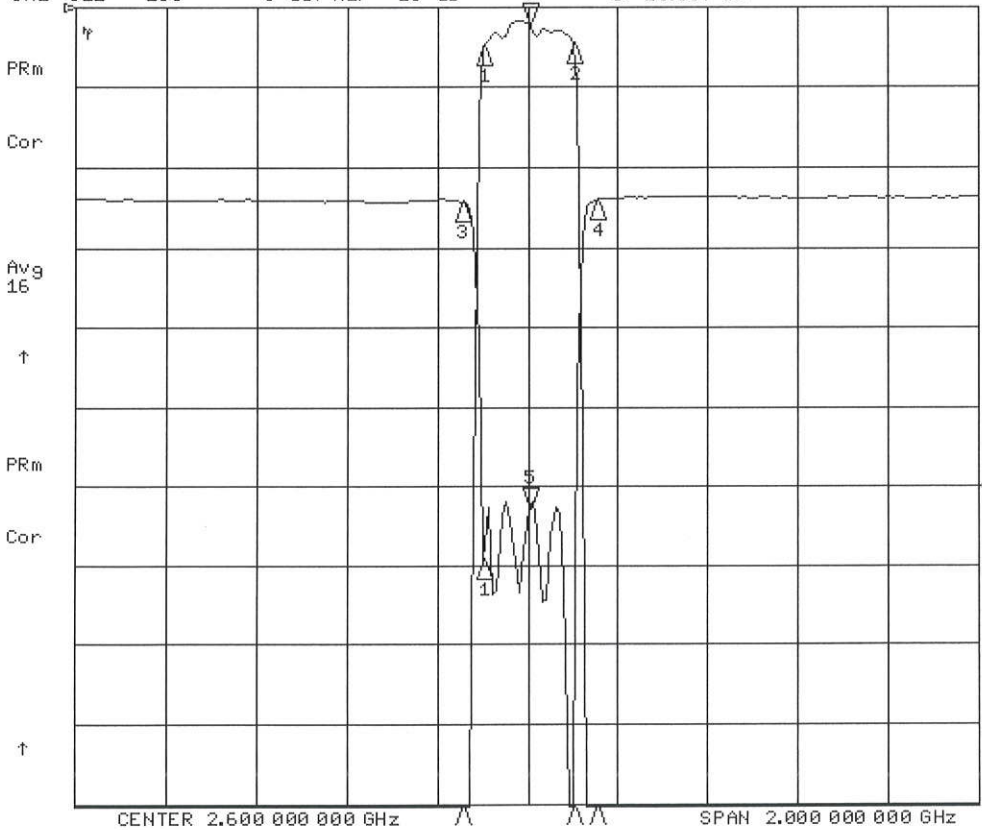
- 1:-47.400 dB
2.50000 GHz
- 2:-46.500 dB
2.70000 GHz
- 3:-40.972 dB
2.45000 GHz
- 4:-55.323 dB
2.75000 GHz

CH2 Markers

- 1:-22.633 dB
2.50000 GHz
- 2:-42.023 dB
2.70000 GHz
- 3:-1.2000 dB
2.45000 GHz
- 4:-0.00900 dB
2.75000 GHz

6 May 2011 08:58:32

CH1 S21 LOG 1 dB/REF 0 dB 5 5:-22.500 dB 2.600 000 000 GHz
 CH2 S11 LOG 5 dB/REF -18 dB 5 5:-19.397 dB



CH1 Markers

- 1:-47.500 dB
2.50000 GHz
- 2:-46.600 dB
2.70000 GHz
- 3:-40.977 dB
2.45000 GHz
- 4:-55.316 dB
2.75000 GHz

CH2 Markers

- 1:-22.654 dB
2.50000 GHz
- 2:-42.141 dB
2.70000 GHz
- 3:-1.3000 dB
2.45000 GHz
- 4:-0.01100 dB
2.75000 GHz