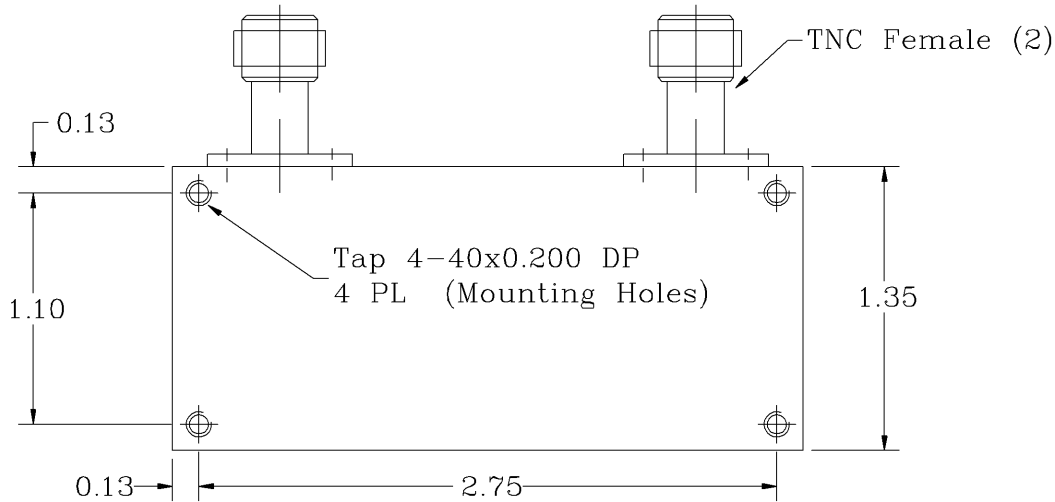
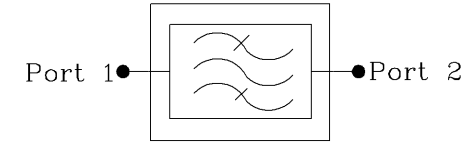
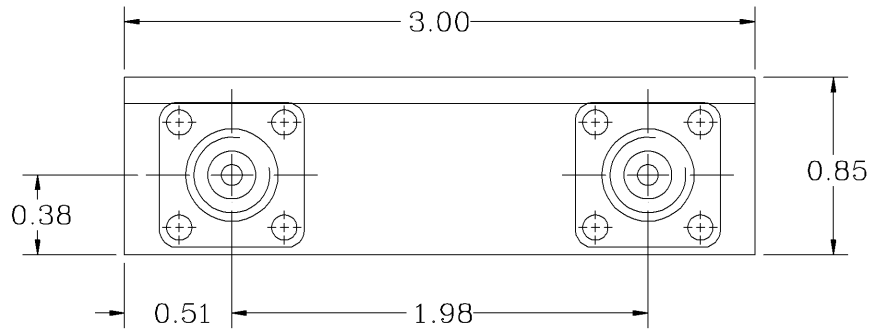


REVISIONS			
REV		DATE	APPROVED



### Electrical Specifications

- \*Pass Band Frequency Range [MHz] : 2200 to 2500
- \*Pass Band Insertion Loss [dB] : < 0.5, 0.4 (Typ.)
- \*Pass Band Ripple [dB] : < 0.3 P-T-P
- \*Attenuation @ DC to 600 MHz [dB] : 80 (Min.), 85 (Typ.)
- @ 3000 to 3500 MHz [dB] : 90 (Min.), 95 (Typ.)
- \*Ultimate Stop Band Attenuation [dB] : 60 (Min)
- \*Pass Band Return Loss [dB] : -16 (Max.) <1.37:1
- \*Input/Output Impedance : 50 ohm
- \*Input/Output @ DC Ground Potential
- \*RF Power Capability Average : 20 Watts

OPERATING TEMPERATURE RANGE: -10°C TO +60°C

PROPRIETARY DOCUMENT:  
 THE CONTENTS OF THIS DOCUMENT WITH ALL INFORMATION AND PROCESSES ARE THE SOLE PROPERTY OF G-Way Microwave. THIS DOCUMENT MAY NOT BE DUPLICATED OR DISCLOSED TO ANY PARTY EXCEPT BY EXPRESSLY WRITTEN PERMISSION. THE ONLY AUTHORIZED USE OF THIS DOCUMENT BY A VENDOR IS FOR QUOTE PURPOSES AND SAID VENDOR AGREES NOT TO DISCLOSE ITS CONTENTS TO ANY THIRD PARTY. THIS DOCUMENT IS COPYRIGHTED 1998.

NOTES:

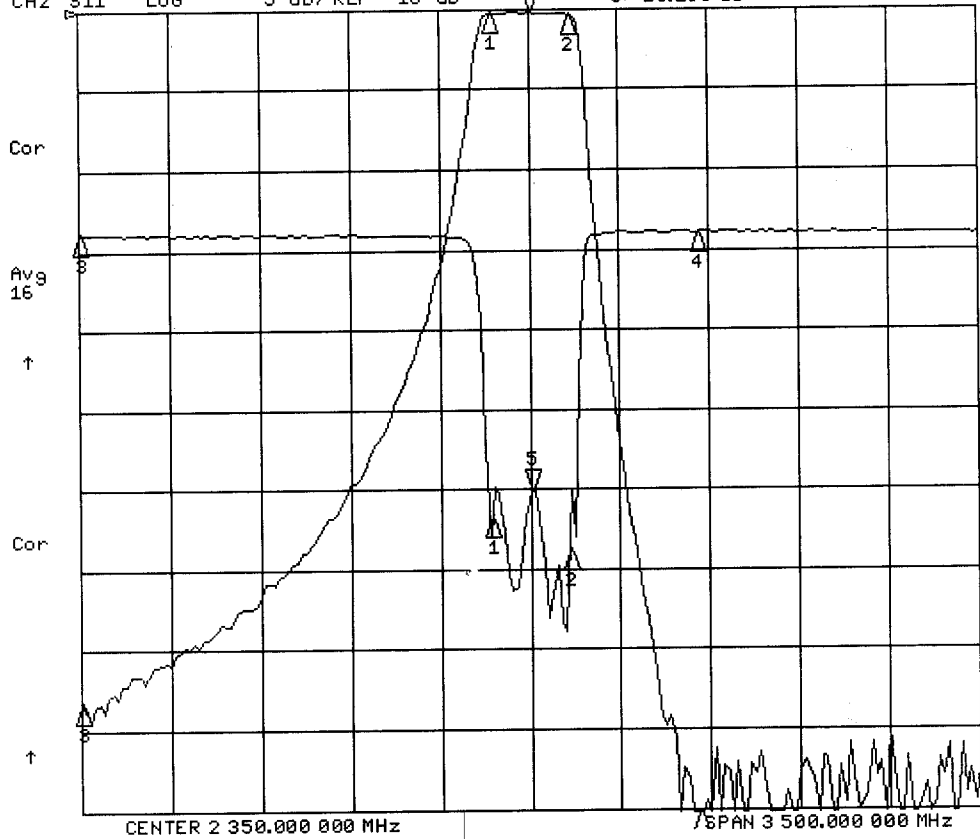
1. BREAK ALL CORNERS & EDGES.005/.010.
2. FINAL FINISH:  
EPOXY GRAY - OPTIONAL

DIMENSIONS ARE IN INCHES TOLERANCES ARE:		CONTRACT NO:		<b>G-Way Microwave</b>			
ANGLES	DECIMALS	APPROVALS	DATE				
± 1°	X ± .05 XX ± .01 XXX ± .003	DRAWN	Sivak	01/08	Band Pass Filter 2350 MHz CB2350/300SK-A4		REV.
TREATMENT	CHECKED	ENG.	DESIGN ACTIVITY	SCALE	None	SHEET	1 OF 1
FINISH	63/	SIZE		CAGE CODE	DWG NO:	REV.	
MATERIAL	AL6061-T6	A	3K1H4	CB2350/300SK-A4-1	0		

CB9350/300SX-A

3 Dec 2007 10:18:49

CH1 S21 LOG 10 dB/REF 0 dB 5: -.38800 dB 2 350.000 000 MHz  
CH2 S11 LOG 5 dB/REF -16 dB 5: -.16.100 dB



3 Dec 2007 10:18:53

CH1 S21 LOG 1 dB/REF 0 dB 5: -.39000 dB 2 350.000 000 MHz  
CH2 S11 LOG 5 dB/REF -16 dB 5: -.16.006 dB

