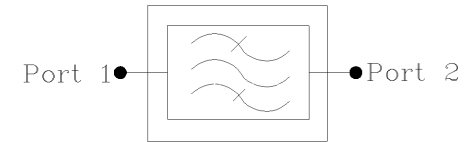
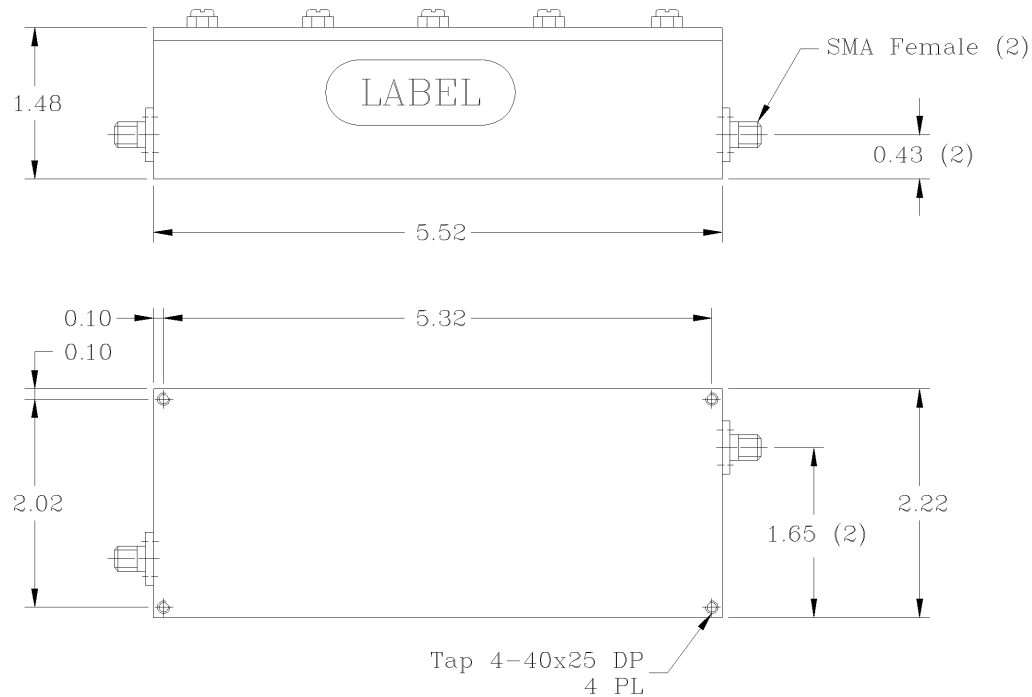


REVISIONS			
REV		DATE	APPROVED



*Optional Environmental Seal to IP65.*

### *Electrical Specifications*

- \*Pass Band Range [MHz] : 2270 to 2290
- \*Pass Band Insertion Loss [dB] : <1.0
- \*Pass Band Ripple [dB] : <0.3 P-T-P
- \*Rejection DC to 2240 MHz [dB] : 75 (Min.), 80 (Typ.)
- @ 2320 to 4500 MHz [dB] : 75 (Min.), 80 (Typ.)
- \*Pass Band Return Loss [dB] : -17 (Max.), <1.32:1
- \*Input/Output Impedance : 50 ohm
- \*RF Power Capability CW : 2 Watts
- \*Input/Output @ DC Ground Potential

OPERATING TEMPERATURE RANGE: -35°C TO +85°C

PROPRIETARY DOCUMENT:  
 THE CONTENTS OF THIS DOCUMENT WITH ALL INFORMATION AND PROCESSES ARE THE SOLE PROPERTY OF G-Way Microwave. THIS DOCUMENT MAY NOT BE DUPLICATED OR DISCLOSED TO ANY PARTY EXCEPT BY EXPRESSLY WRITTEN PERMISSION. THE ONLY AUTHORIZED USE OF THIS DOCUMENT BY A VENDOR IS FOR QUOTE PURPOSES AND SAID VENDOR AGREES NOT TO DISCLOSE ITS CONTENTS TO ANY THIRD PARTY. THIS DOCUMENT IS COPYRIGHTED 1998.

NOTES:

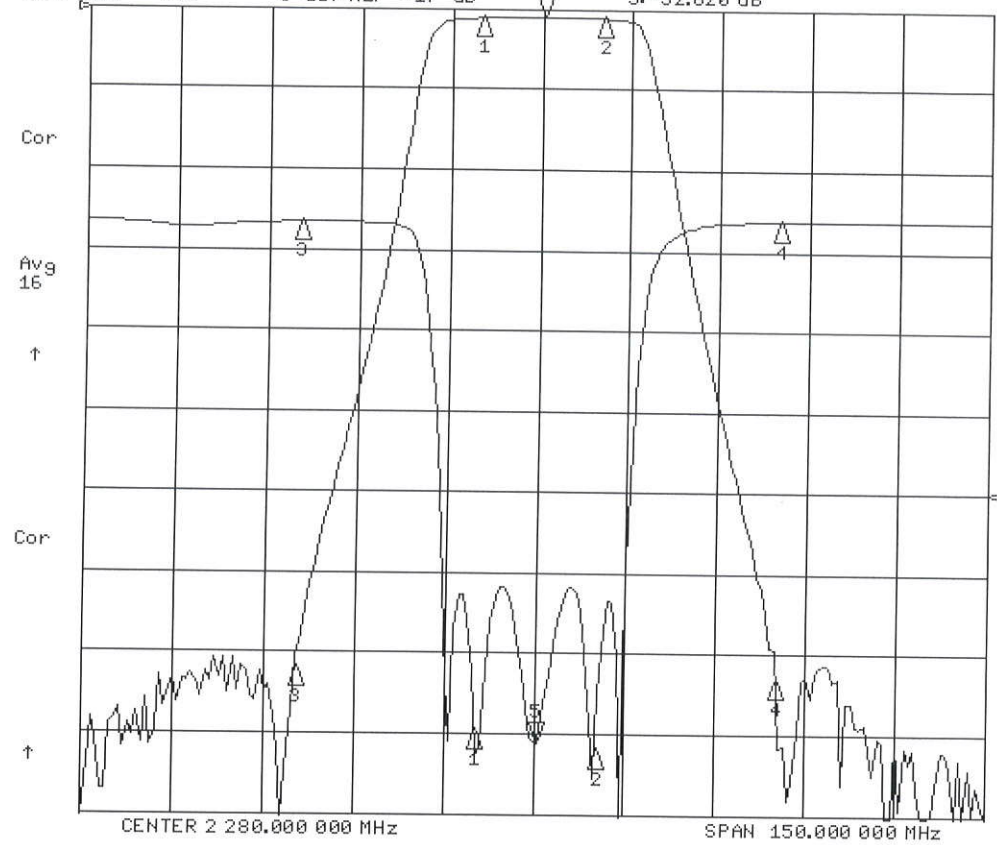
1. BREAK ALL CORNERS & EDGES.005/.010.
2. FINAL FINISH:  
EPOXY GRAY - OPTIONAL

DIMENSIONS ARE IN INCHES TOLERANCES ARE		CONTRACT NO:		<b>G-Way Microwave</b>	
ANGLES	DECIMALS	APPROVALS	DATE		
± 1°	.X ± .05 .XX ± .01 .XXX ± .003	DRAWN	Segal	09/13	Band Pass Filter 2280 MHz CB2280/20SK-B5
TREATMENT		CHECKED			SIZE
FINISH	63/	ENG.			CAGE CODE
MATERIAL		DESIGN ACTIVITY			DWG NO:
					REV.
					A
					3K1H4
					CB2280/20SK-B5-1
					SCALE None
					SHEET 1 OF 1

*CB200/205K-B6*

3 Sep 2013 12:23:54

CH1 S21 LOG 10 dB/REF 0 dB 5: -93670 dB 2 280.000 000 MHz  
 CH2 S11 LOG 5 dB/REF -17 dB 5: -32.620 dB



CH1 Markers

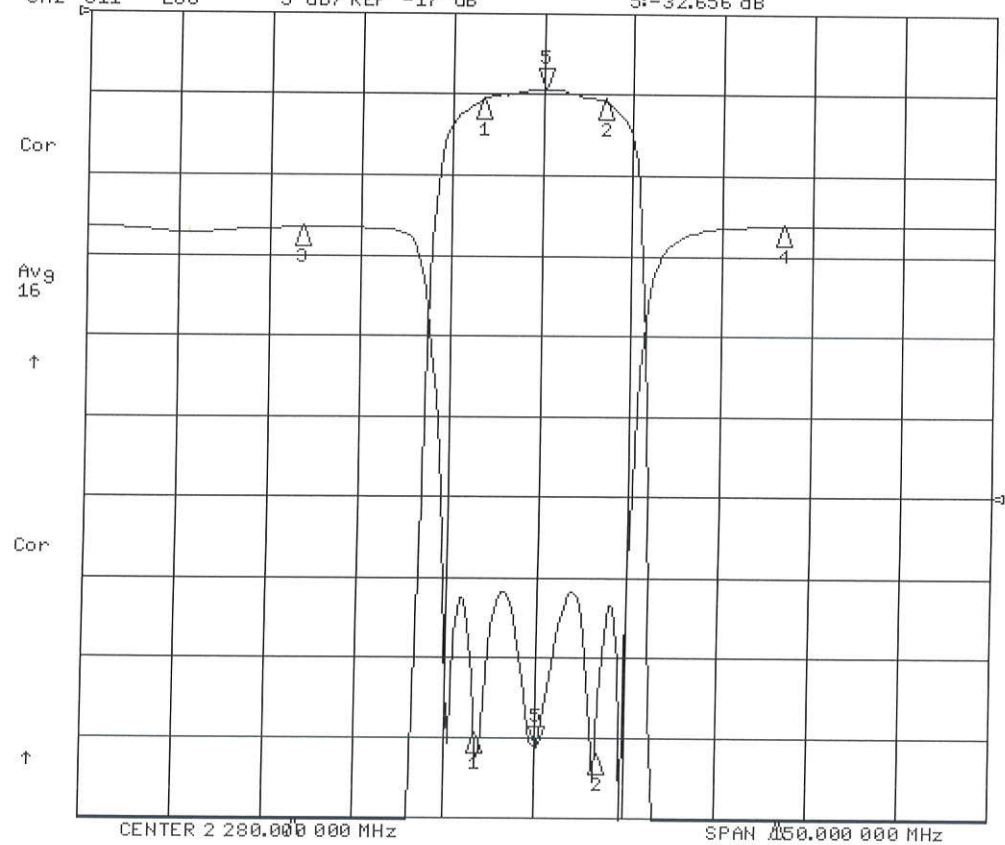
- 1:-1.0614 dB  
2.27000 GHz
- 2:-1.0669 dB  
2.29000 GHz
- 3:-81.803 dB  
2.24000 GHz
- 4:-83.079 dB  
2.32000 GHz

CH2 Markers

- 1:-31.702 dB  
2.27000 GHz
- 2:-33.015 dB  
2.29000 GHz
- 3:-29.950 dB  
2.24000 GHz
- 4:-11.920 dB  
2.32000 GHz

3 Sep 2013 12:23:57

CH1 S21 LOG 1 dB/REF 0 dB 5: -93740 dB 2 280.000 000 MHz  
 CH2 S11 LOG 5 dB/REF -17 dB 5: -32.656 dB



CH1 Markers

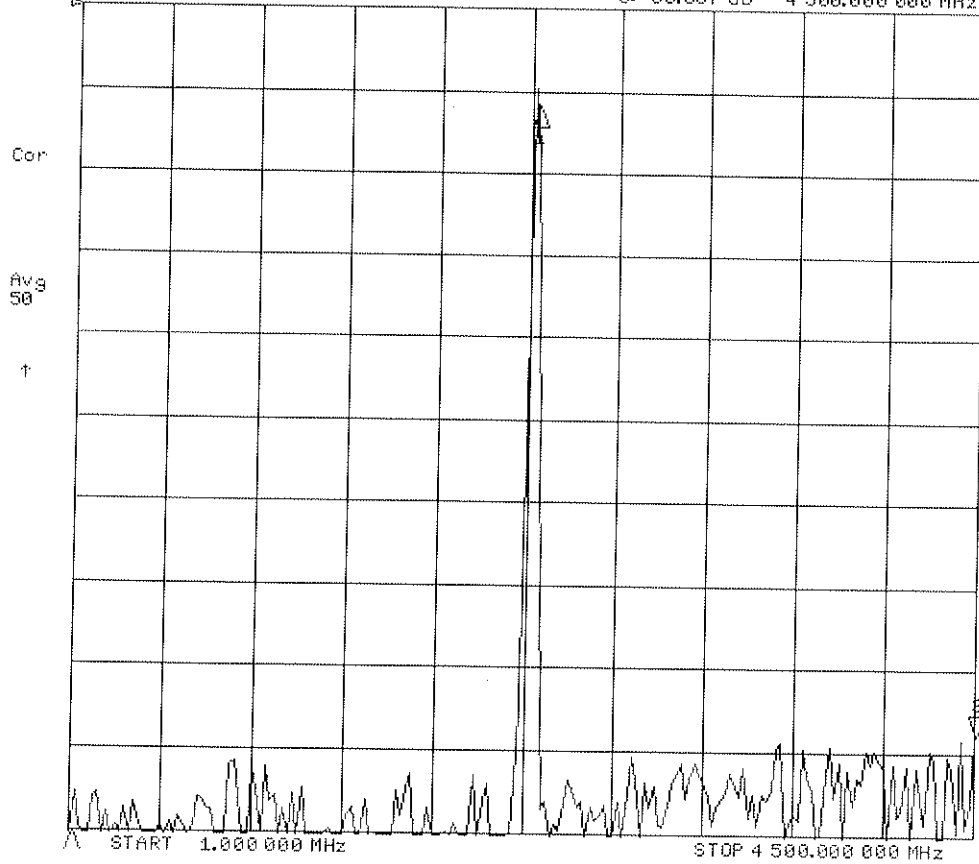
- 1:-1.0613 dB  
2.27000 GHz
- 2:-1.0669 dB  
2.29000 GHz
- 3:-84.637 dB  
2.24000 GHz
- 4:-83.383 dB  
2.32000 GHz

CH2 Markers

- 1:-31.697 dB  
2.27000 GHz
- 2:-33.038 dB  
2.29000 GHz
- 3:-29.950 dB  
2.24000 GHz
- 4:-11.920 dB  
2.32000 GHz

3 Sep 2013 12:26:53

[CH1] S21 LOG 10 dB/REF 0 dB 3:-88.007 dB 4 500.000 000 MHz



CH1 Markers  
1:-11.954 dB  
2.28000 GHz  
2:-102.11 dB  
1.00000 MHz