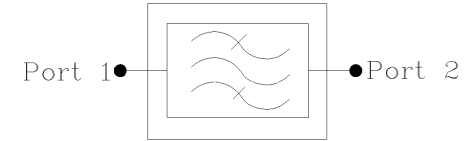
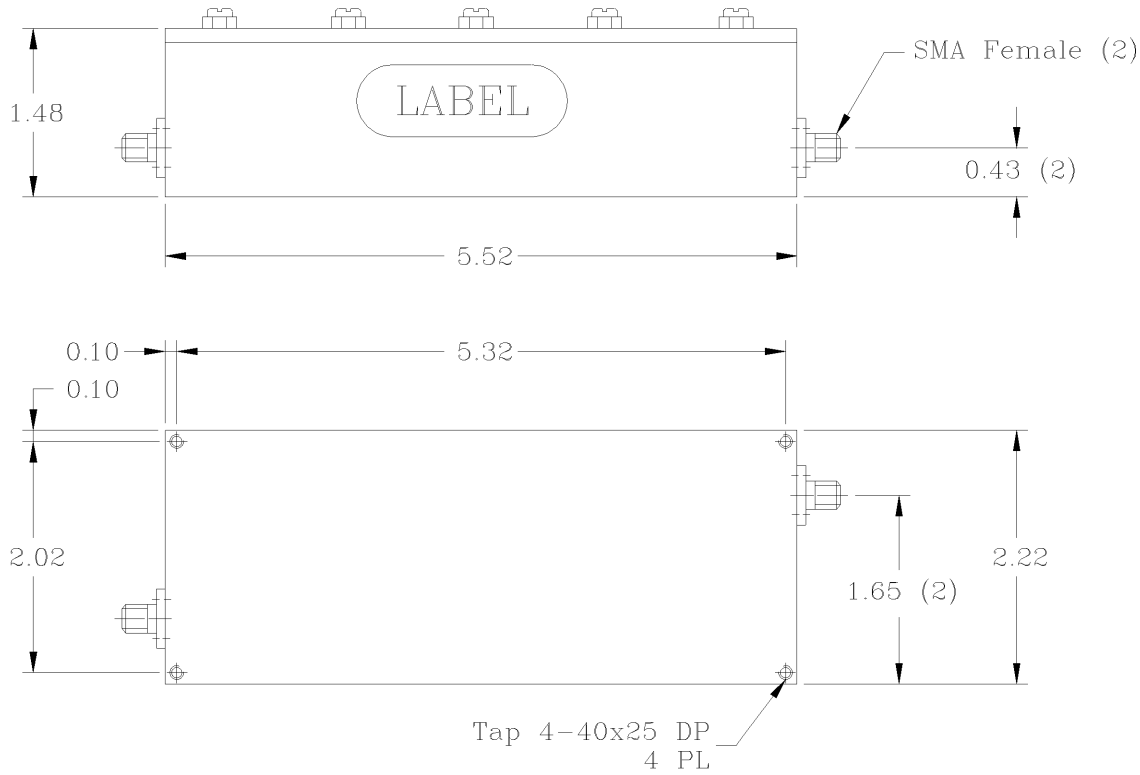


REVISIONS			
REV		DATE	APPROVED



Optional Environmental Seal to IP65.

Electrical Specifications

- *Pass Band Range [MHz] : 2215 to 2235
- *Pass Band Insertion Loss [dB] : <1.0
- *Pass Band Ripple [dB] : <0.3 P-T-P
- *Rejection DC to 2185 MHz [dB] : 75 (Min.), 80 (Typ.)
- @ 2265 to 4500 MHz [dB] : 75 (Min.), 80 (Typ.)
- *Pass Band Return Loss [dB] : -17 (Max.), <1.32:1
- *Input/Output Impedance : 50 ohm
- *RF Power Capability CW : 2 Watts
- *Input/Output @ DC Ground Potential

OPERATING TEMPERATURE RANGE: -35°C TO +85°C

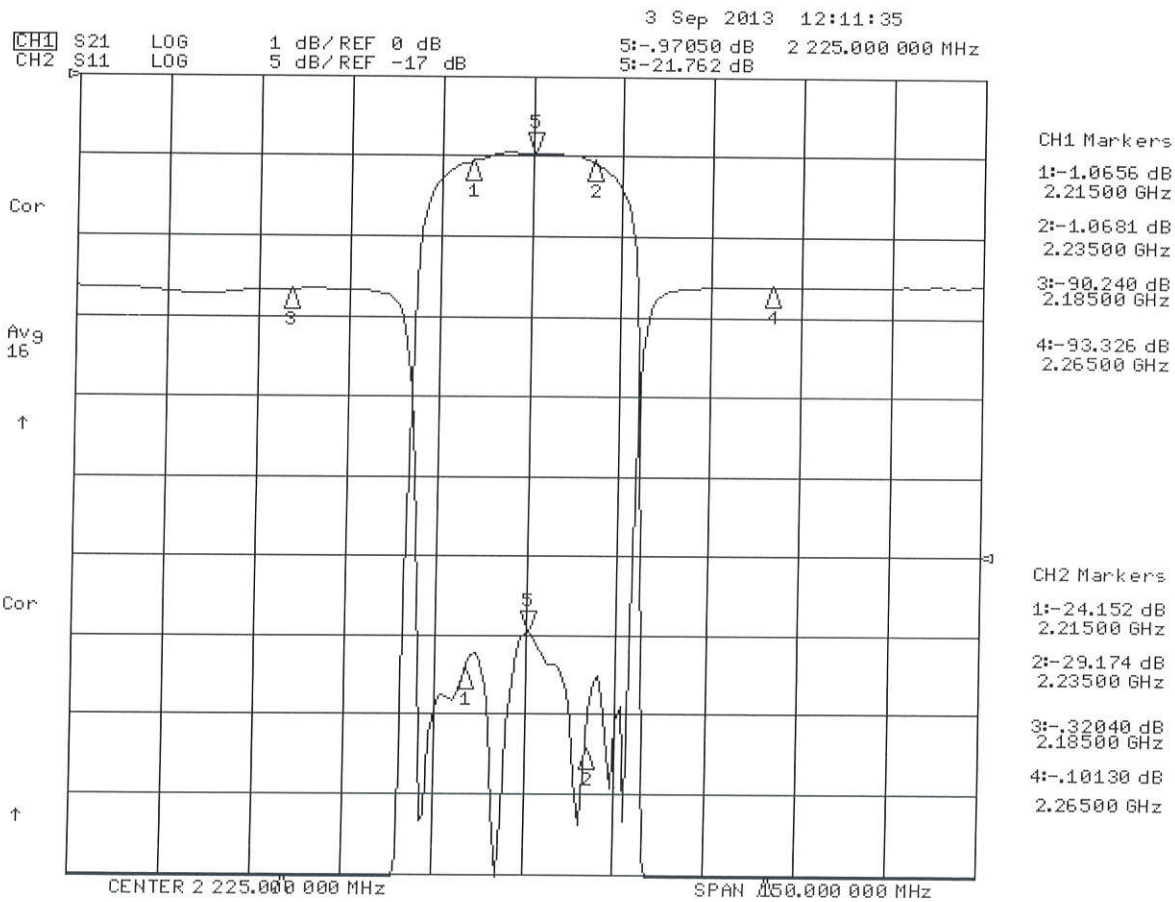
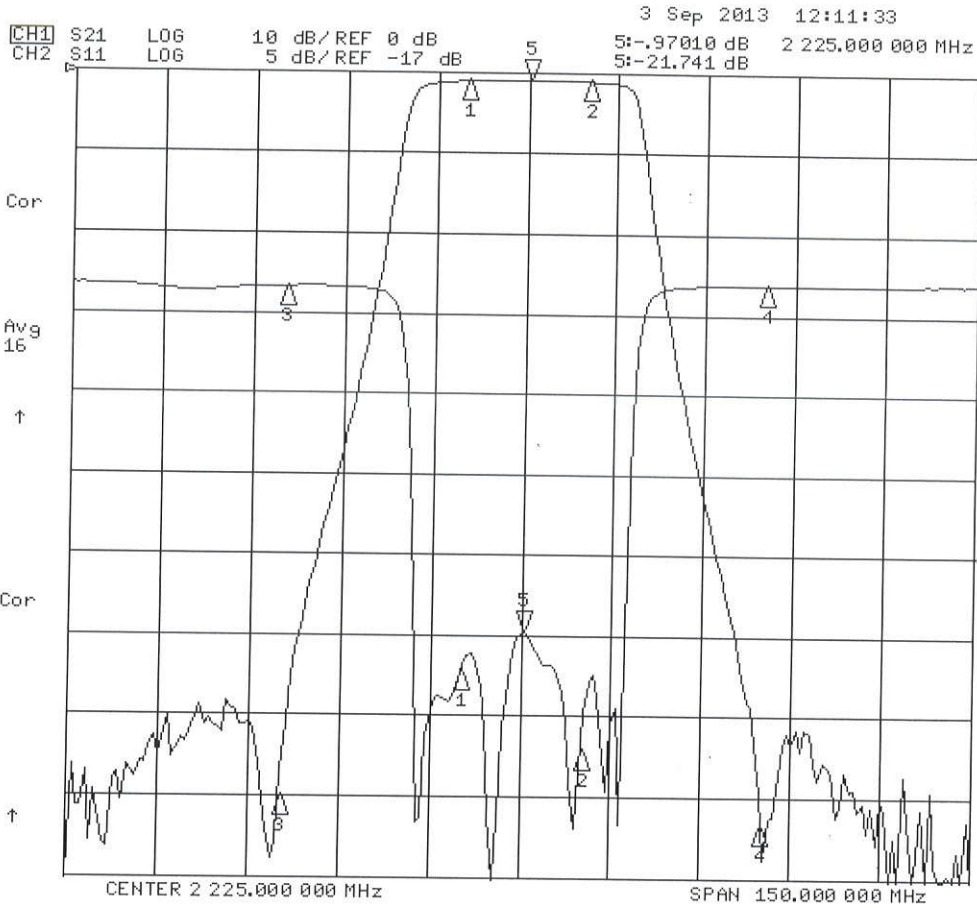
PROPRIETARY DOCUMENT:
THE CONTENTS OF THIS DOCUMENT WITH ALL INFORMATION AND PROCESSES ARE THE SOLE PROPERTY OF G-Way Microwave. THIS DOCUMENT MAY NOT BE DUPLICATED OR DISCLOSED TO ANY PARTY EXCEPT BY EXPRESSLY WRITTEN PERMISSION. THE ONLY AUTHORIZED USE OF THIS DOCUMENT BY A VENDOR IS FOR QUOTE PURPOSES AND SAID VENDOR AGREES NOT TO DISCLOSE ITS CONTENTS TO ANY THIRD PARTY. THIS DOCUMENT IS COPYRIGHTED 1998.

NOTES:

1. BREAK ALL CORNERS & EDGES.005/.010.
2. FINAL FINISH:
EPOXY GRAY - OPTIONAL

DIMENSIONS ARE IN INCHES		CONTRACT NO:		G-Way Microwave	
TOLERANCES ARE ANGLES DECIMALS		APPROVALS DATE			
± 1"	.X ± .05 .XX ± .01 .XXX ± .003	DRAWN Segal 09/13		CB2225/20SK-B5	
TREATMENT	CHECKED	ENG.		SIZE	CAGE CODE
FINISH 63/	DESIGN ACTIVITY	SCALE None		A	3K1H4
MATERIAL				DWG NO:	REV.
				CB2225/20SK-B5-1	0
				SHEET	1 OF 1

CB2295/205K-B6



3 Sep 2013 12:13:57

[CH1] S21 LOG 10 dB/REF 0 dB

3:-94.457 dB 4 500.000 000 MHz

Cor

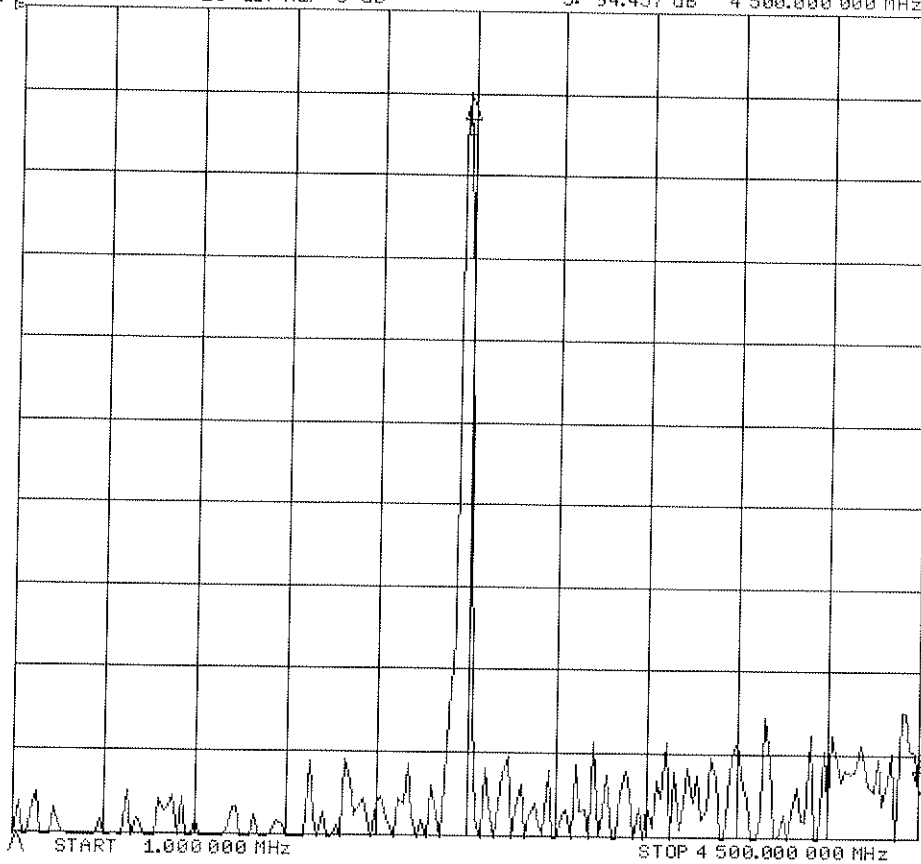
Avg
50

↑

CH1 Markers

1:-10.800 dB
2.22500 GHz

2:-101.65 dB
1.00000 MHz



START 1.000 000 MHz

STOP 4 500.000 000 MHz